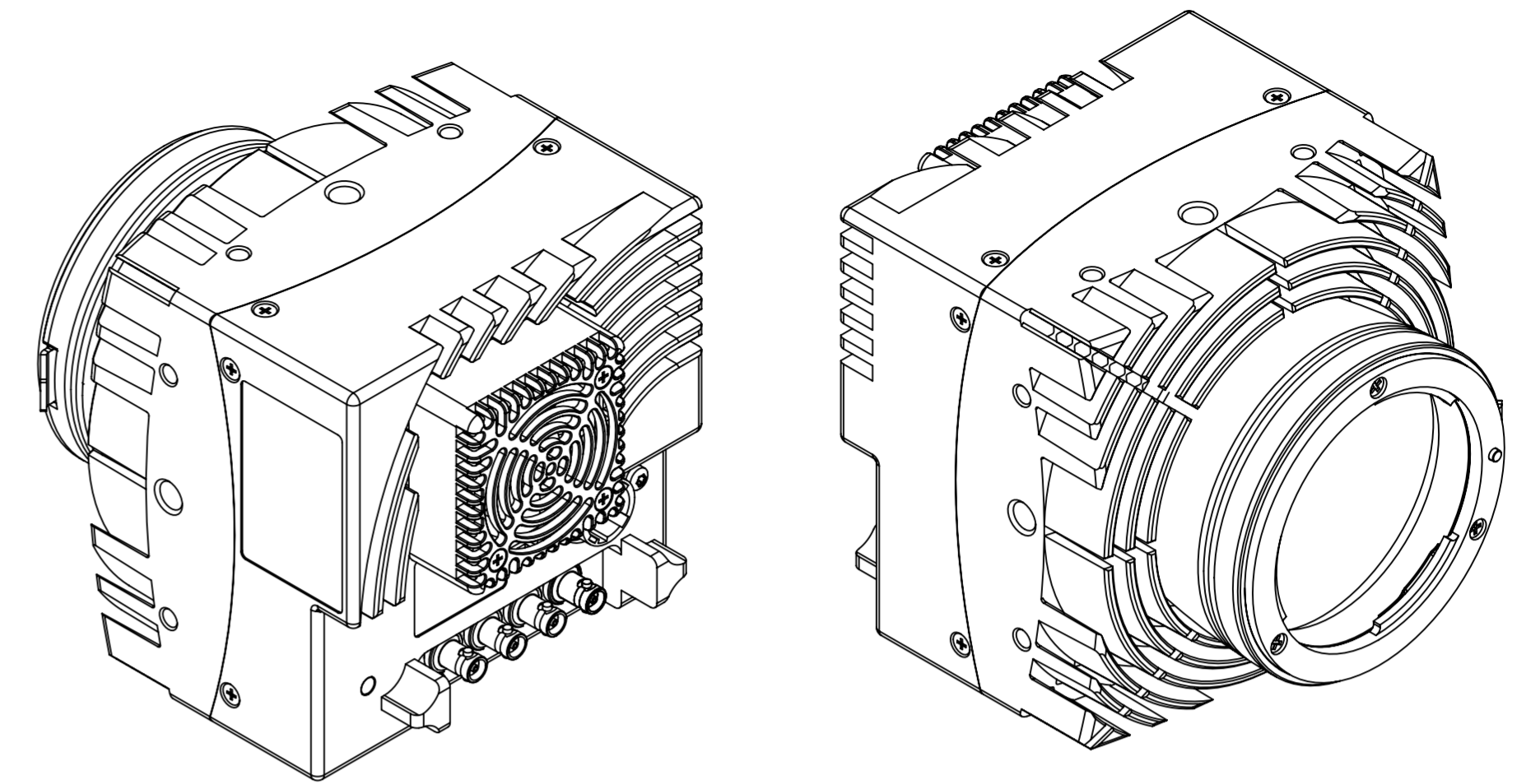
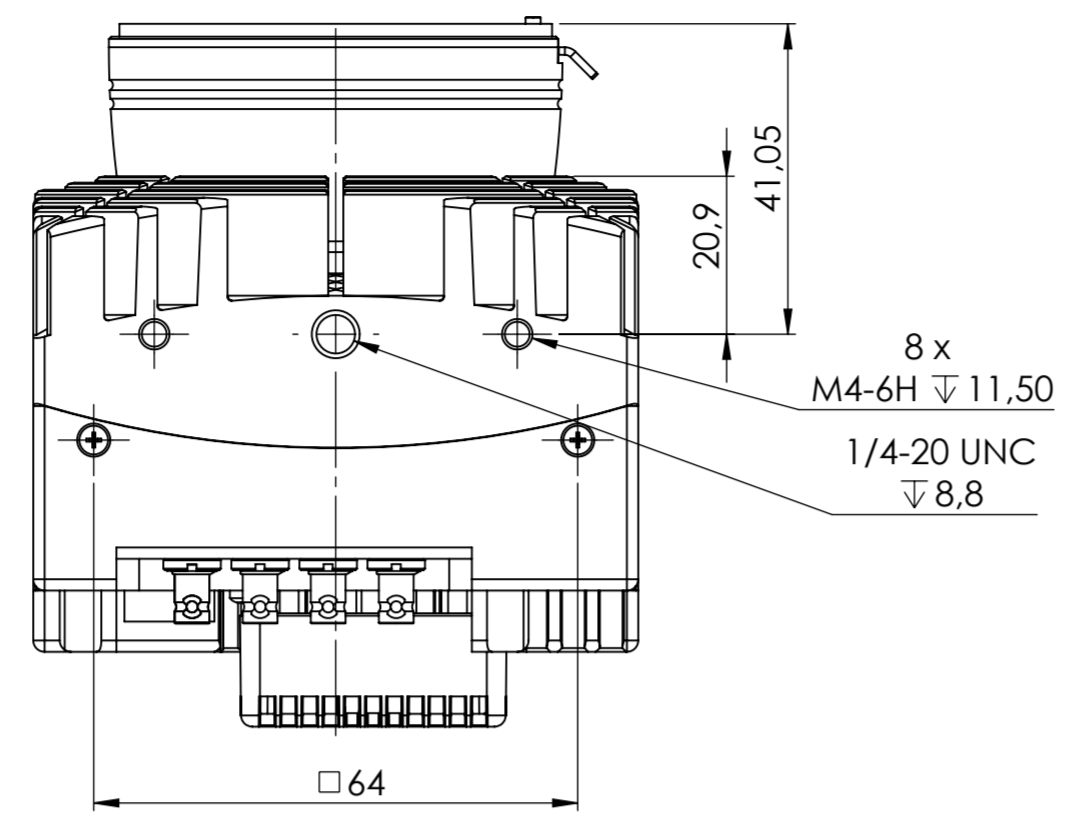
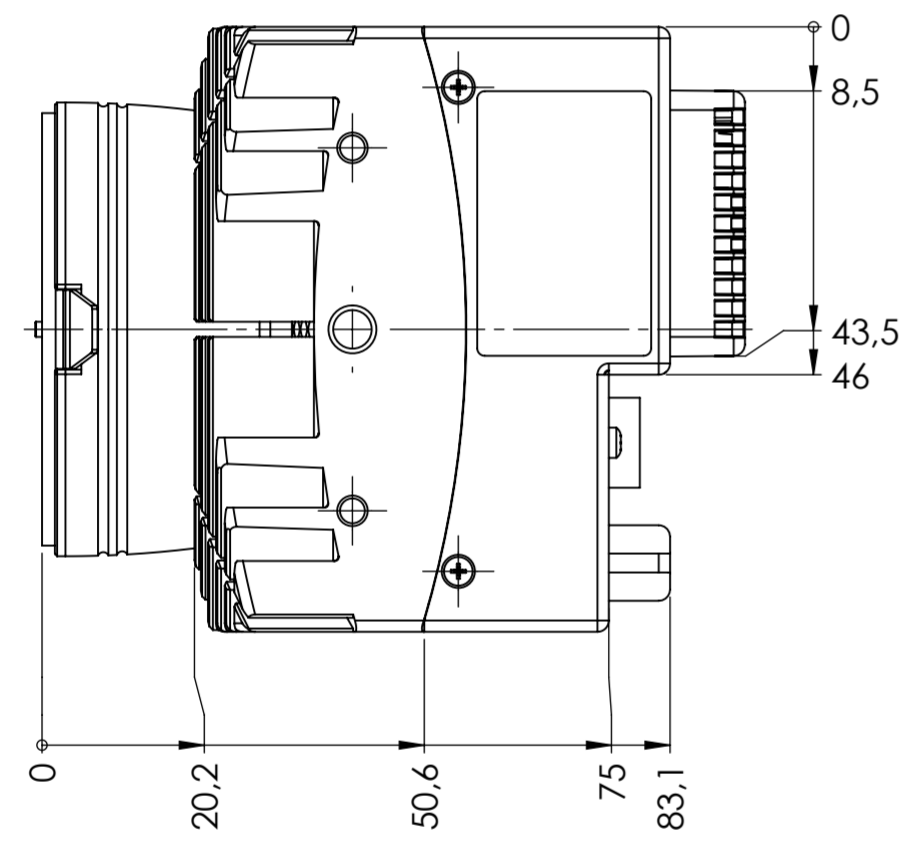


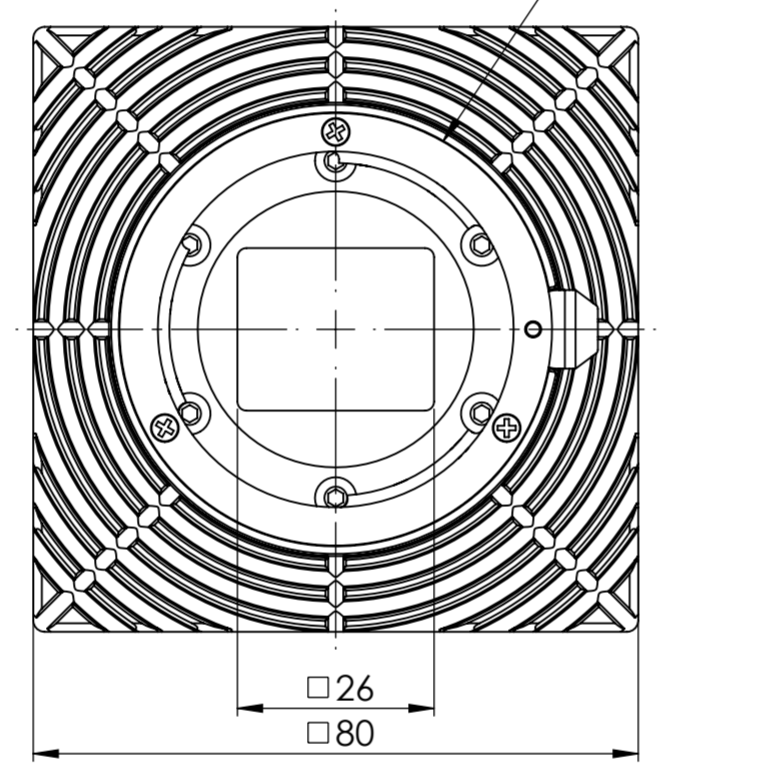
bottom view



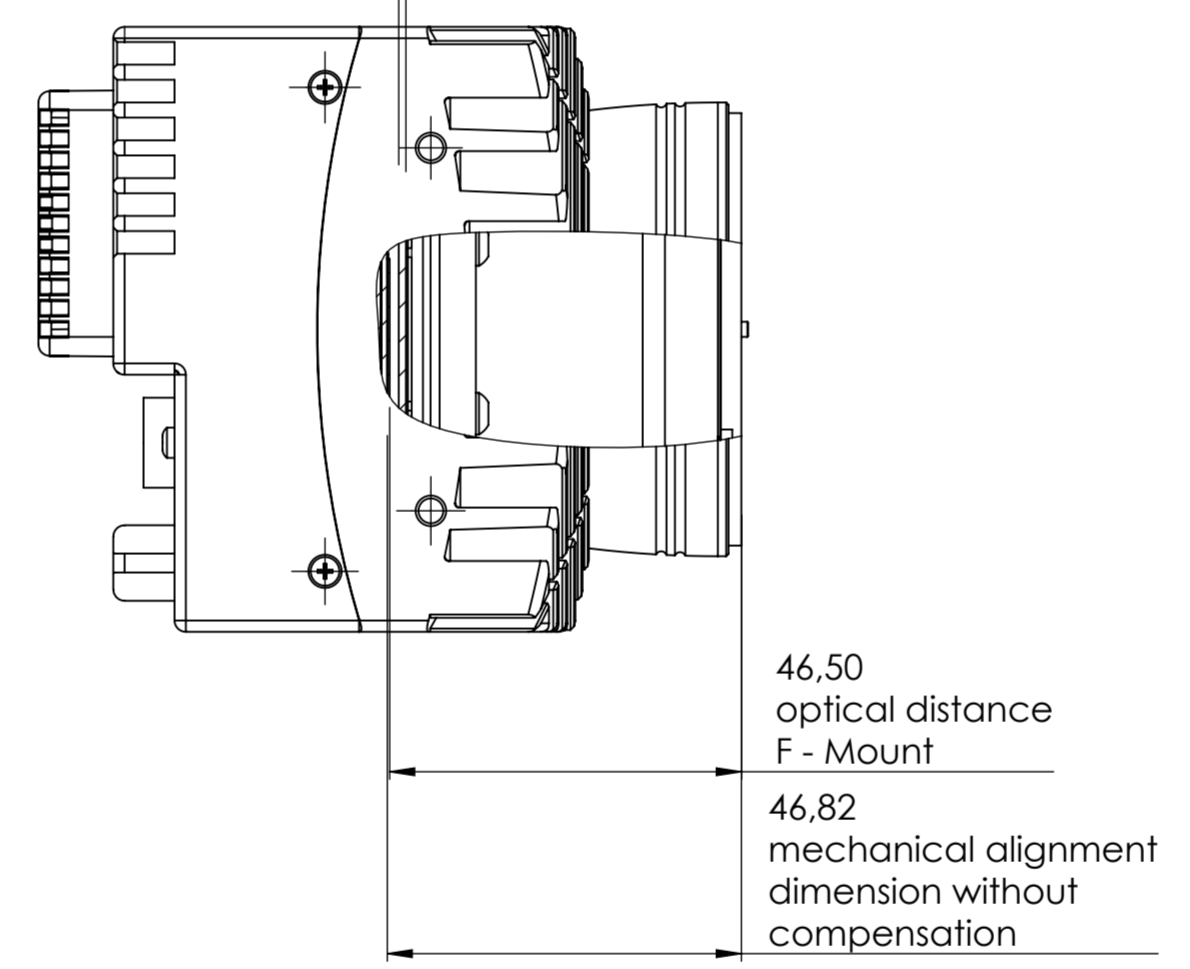
right view



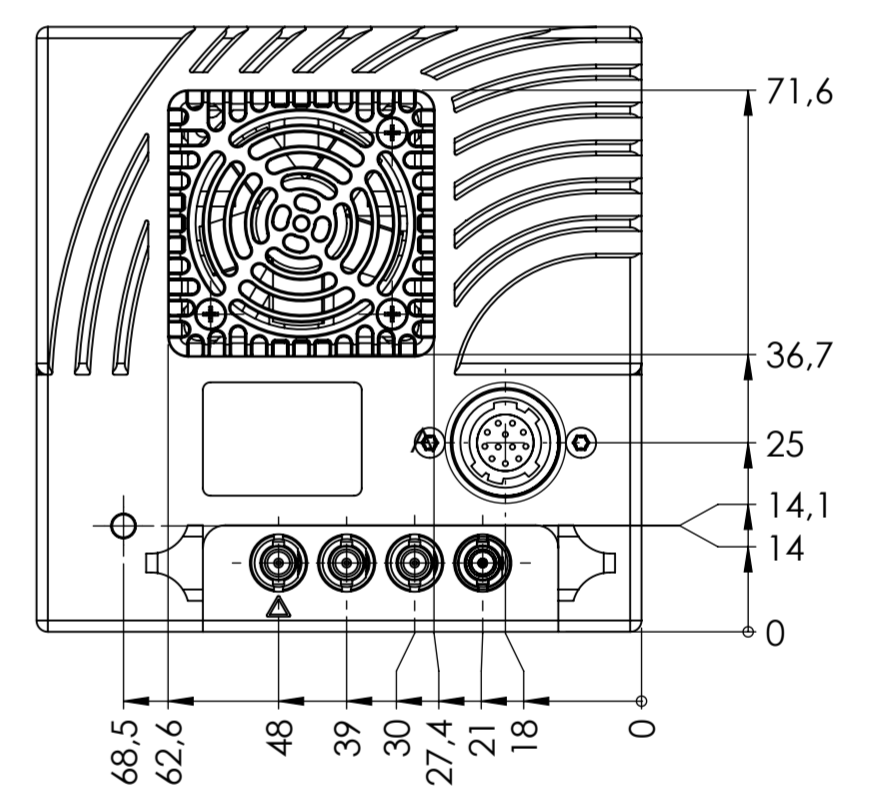
front view



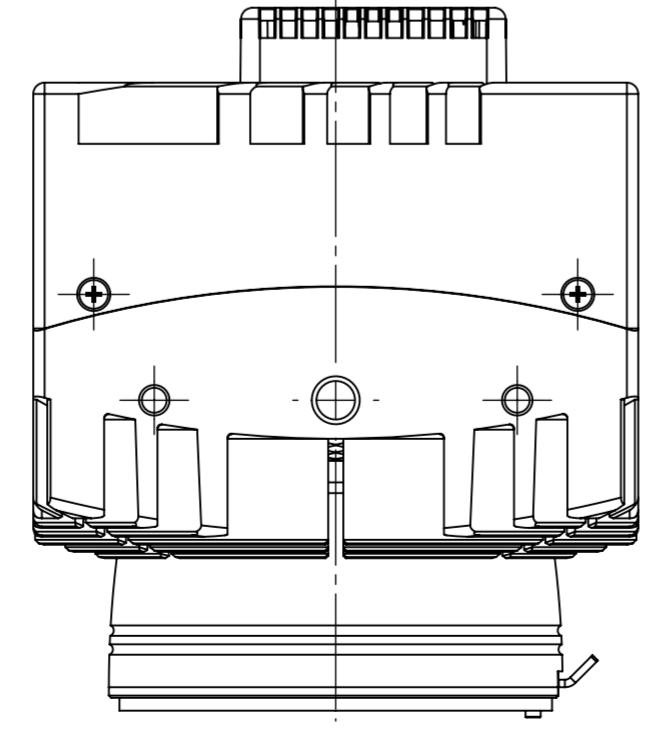
left view



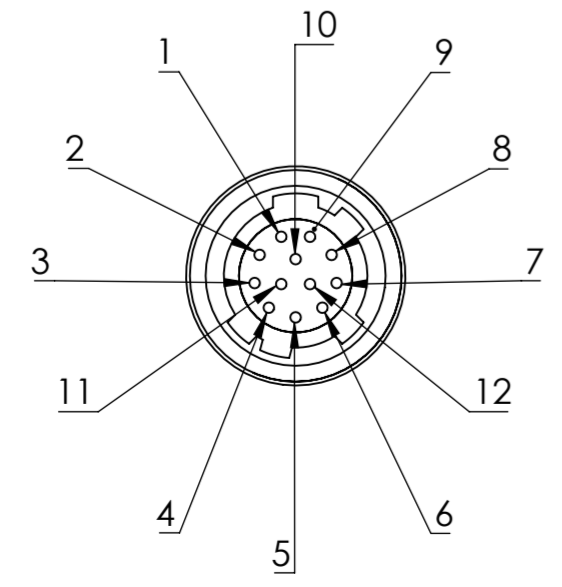
back view



top view



Hirose Connector



A (2 : 1)

Hirose Pinout	
Pin	Signal
1	GND
2	VCC (12 - 24V)
3	IO GND
4	OUT 0
5	IO GND
6	IN 0
7	IO GND
8	OUT 1
9	IO GND
10	IN 1
11	VCC (12 - 24V)
12	GND

drawing applies to following cameras
EoSens10MCX12-FM
EoSens21MCX12-FM

 High-Speed Vision Solutions	all dimensions in mm unless otherwise specified	Scale: 1:1 Rev.: 1
	Customer Interface Drawing	Title: EoSens21MCX12-FM
Drawn: S.Seller Date: 22.11.2022	Material:	Material No.:
Checked:	Weight:	A2 Blatt/Sheet 1/1