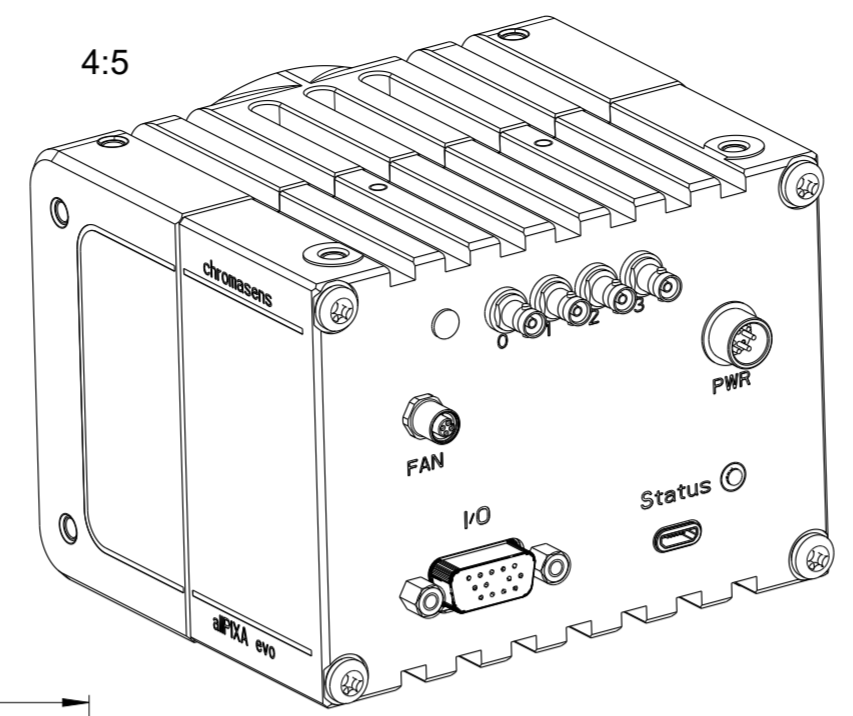
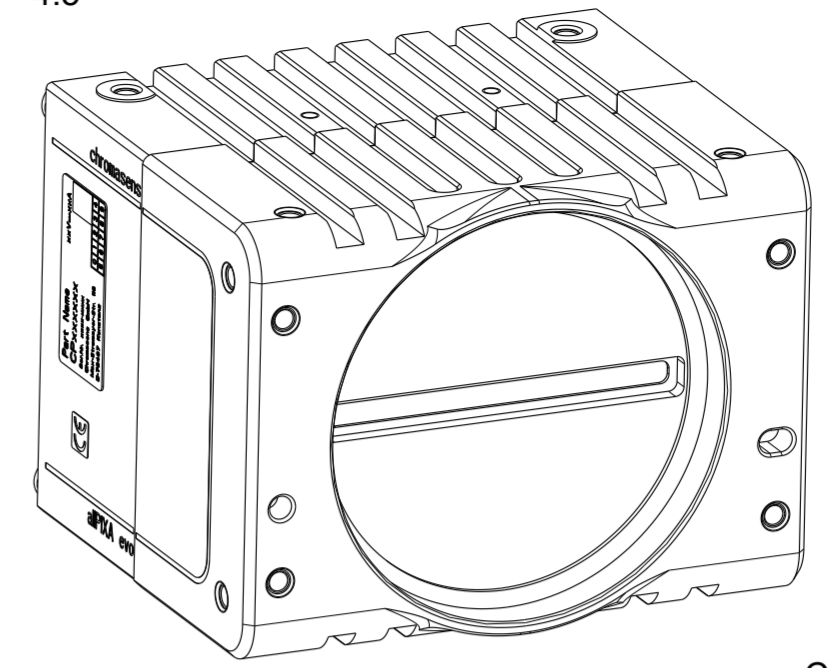


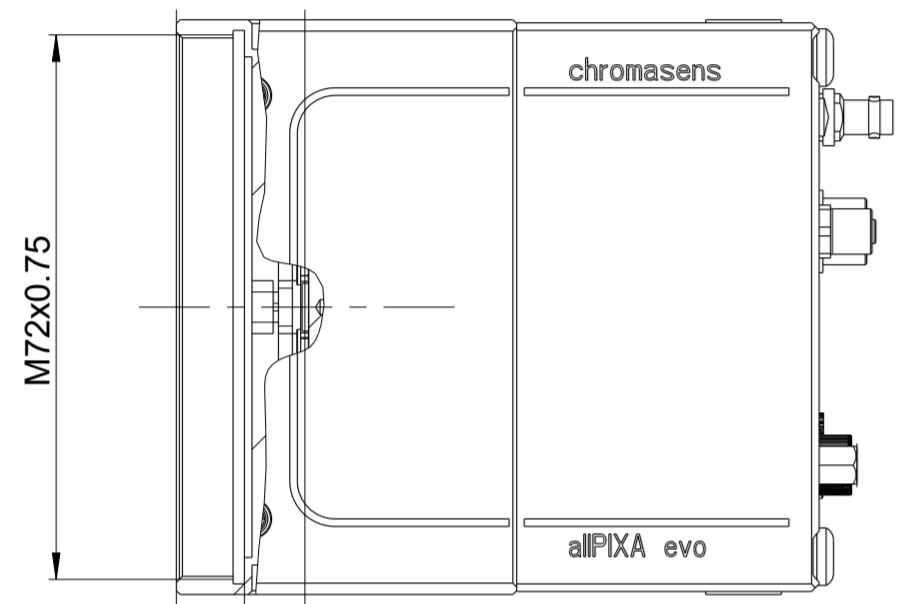
4:5



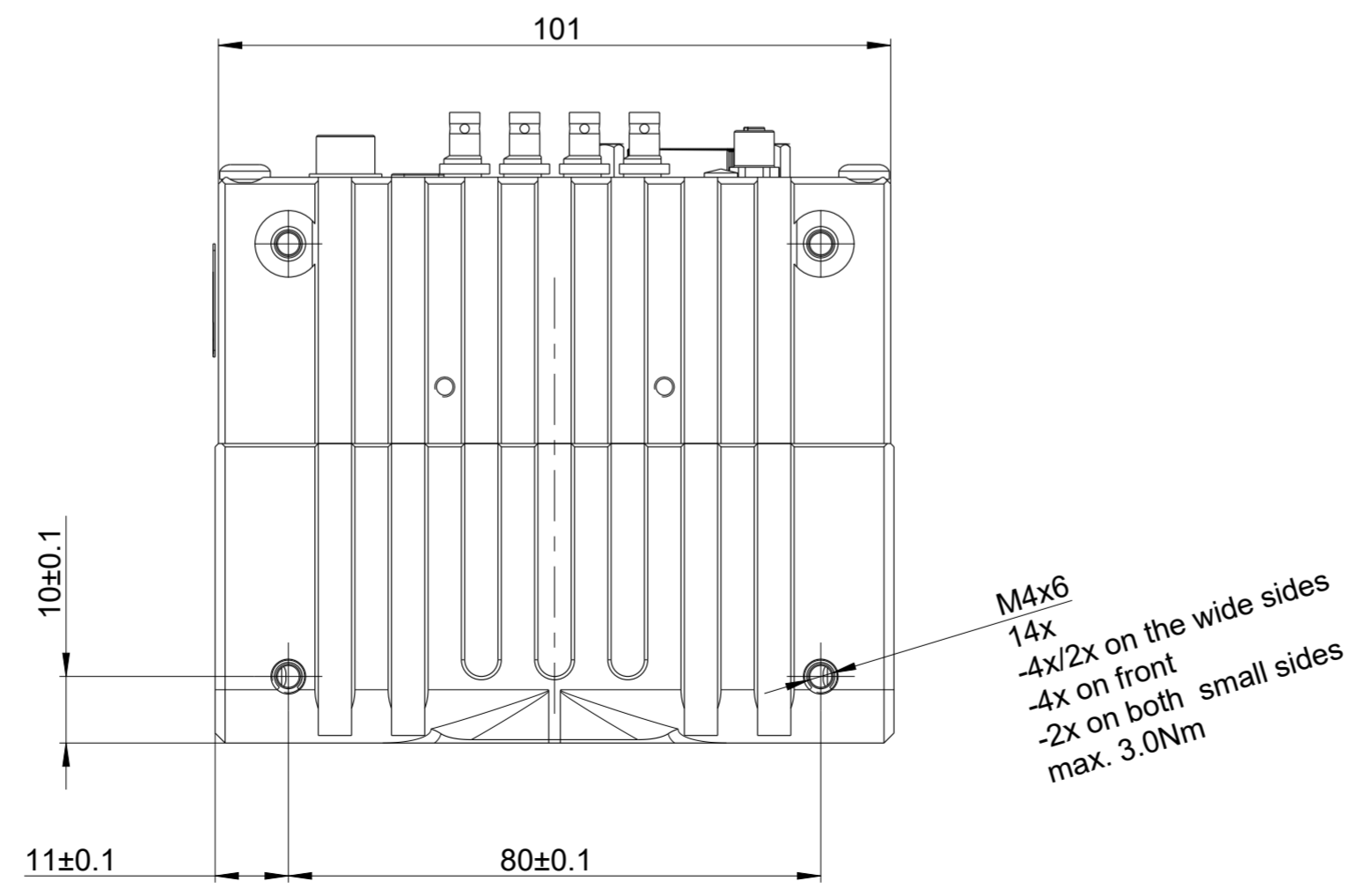
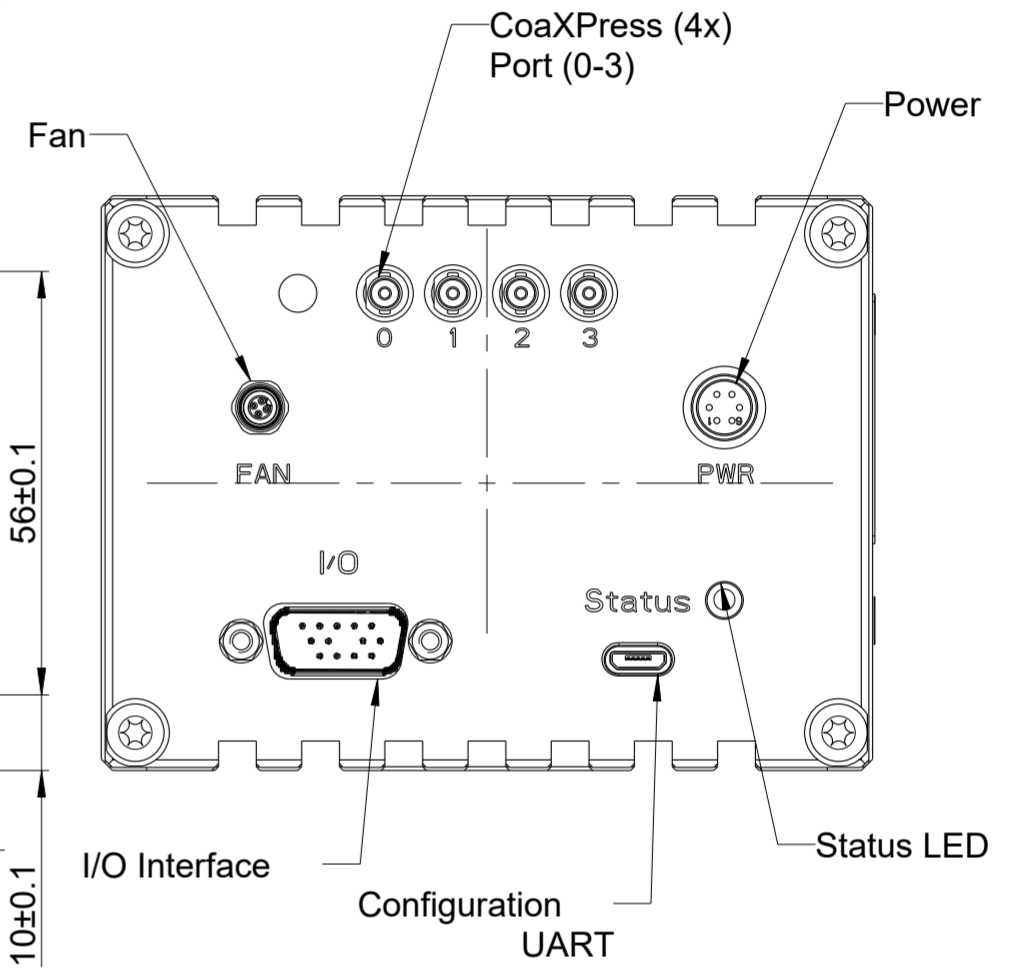
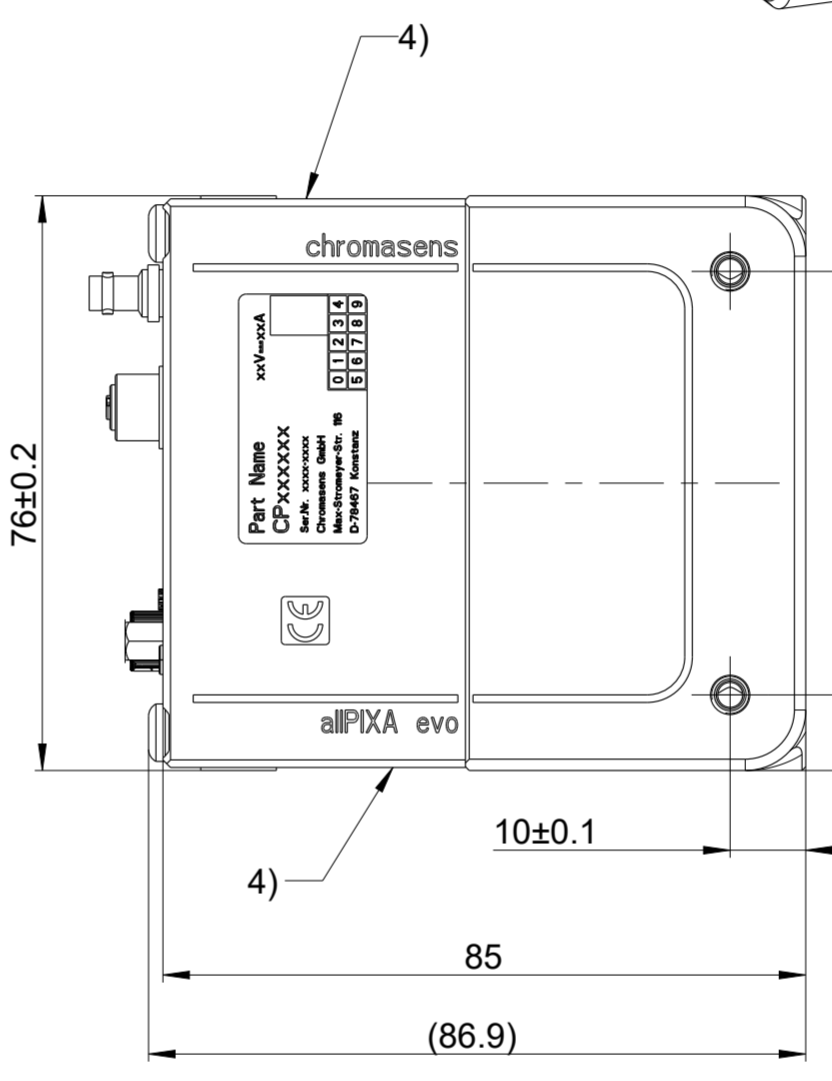
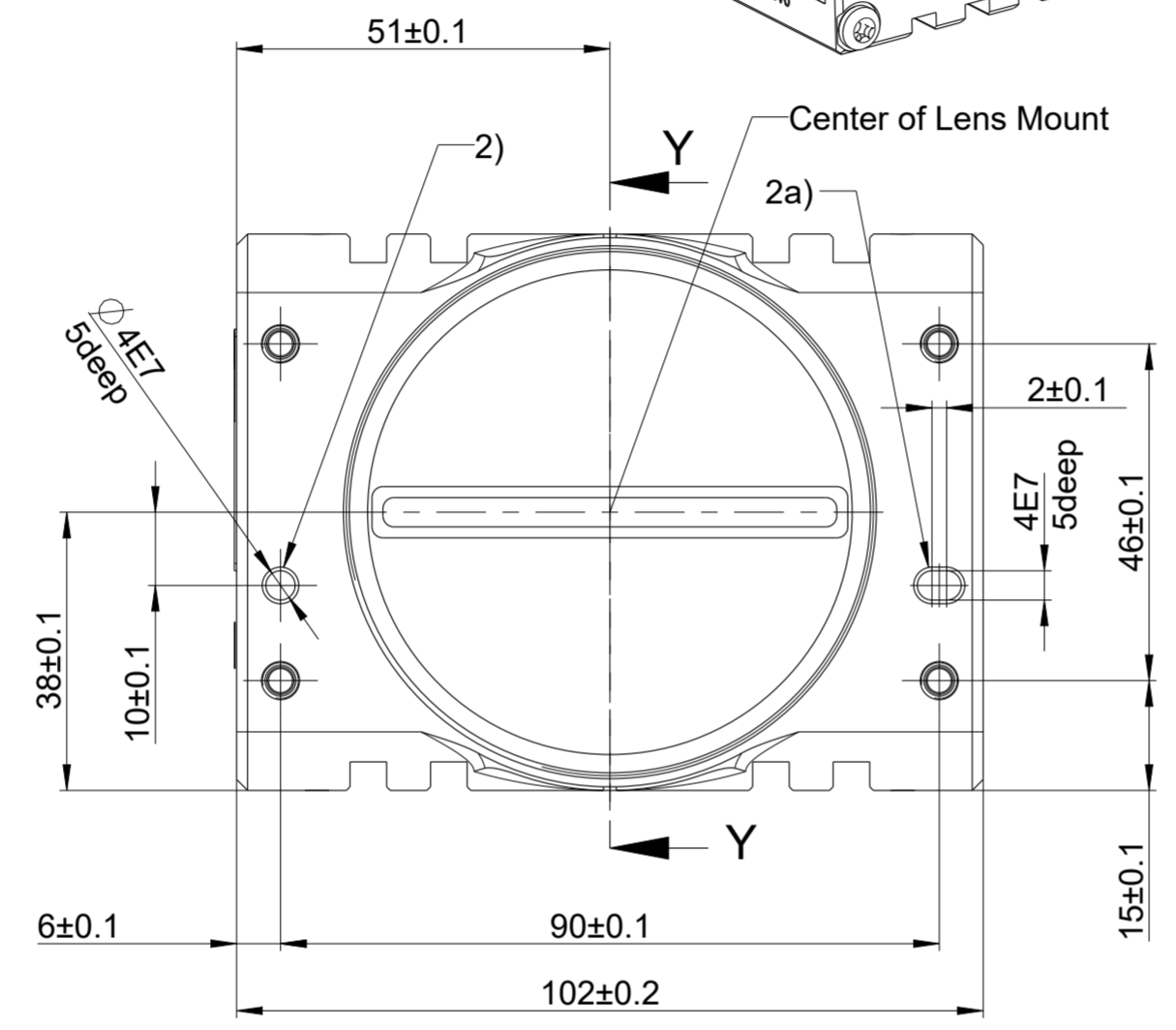
4:5



Y-Y



1) Photosensitive Surface of CMOS-Sensor



1) Photosensitive Surface of Sensor: 17,0mm (optical, with sensor glas elongation) 16,63mm (mechanical), -> 3D-Model geometry is in consideration of the optical path. -> sensor tolerances according user manual

2) Positioning Hole 4E7 for Pin 4mm (Tolerance m6) and floating side 2a) (4E7x3mm).

3a) threads for cooling options M4x8 max. 1.0Nm 3b) threads for cooling options M4x4 max. 1.0Nm (ask for Accessoires)

4) Thermal pad for Cooling options (see accessoires)

Positioning and Tolerances according to User Manual

CONFIADO COMO SECRETO INDUSTRIAL . NOS RESERVAMOS TODOS LOS DERECHOS PROPRIETARY DATA , COMPANY CONFIDENTIAL . ALL RIGHTS RESERVED

Technical drawing header table containing ISO standards (ISO 128, ISO 8015, ISO 1302), scale (1:1), drawing name (allPIXA evo 10K CxP4-Z), and manufacturer (Chromasens GmbH).