

Uniblitz® CS35

35mm Uni-Stable Optical Shutter

Overview

The Uniblitz CS35 has been designed to provide accurate, repeatable exposures for a wide variety of applications including microscopy, video imaging, and more. The slim form-factor provides a 35mm aperture that can be inserted into a 3.33 inch diameter housing. The CS35 is available in a housed or an un-housed configuration for OEM applications (or simply where spatial limitations are a consideration).

Uni-stable shutter devices, like the CS35, require power to hold the blades in the open state.

Key Features

- 35mm aperture
- Configured for the [VCM-D1 Shutter Driver](#)
- **RoHS Compliant**
- Transfer time on opening: 13.0 milliseconds
- Transfer time on closing: 17.0 milliseconds

Specifications

Electrical Specifications

Coil resistance	12 OHMS
Voltage to Open	+70 VDC
Hold Voltage (Nominal) ¹	+7 VDC / +5 VDC ²

Mechanical Specifications

Weight Unhoused	50.0 g
Weight Housed	190.0 g
Operating Temp.	0 - 80 °C
Max. Opening Bounce	15%
Max. Closing Bounce	5%
Max. Freq. of Operation ³	2.5 Hz / 15 Hz
Number of Shutter Blades	5

¹ Voltage level required across actuator coil when being held in the open position.

² Dual hold voltage system included in VCM-D1 shutter driver.

³ (Continuous/Burst) Continuous frequency rating specified at shutter's minimum exposure pulse. Burst frequency rating specified for four (4) seconds maximum with one (1) minute minimum between bursts.

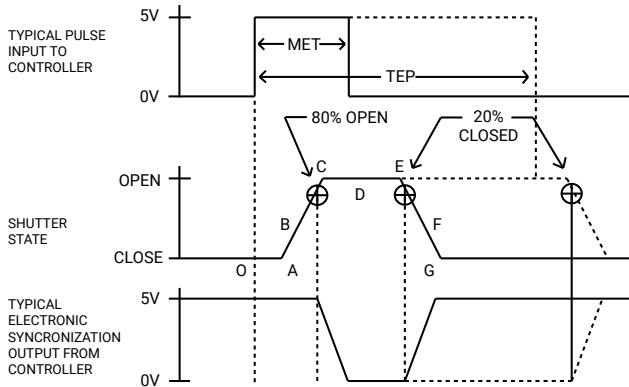


Need Support? Please visit our website or email us at info@uniblitz.com.

Tel: +1 585-385-5930 | Fax: 585-385-6004 | 803 Linden Ave. Rochester, NY 14625

Updated 11/22 | Document Version 6.1 | ©2022 Vincent Associates

Shutter Timing Data



¹ Under no circumstances should any type of lubricant be applied to the shutter blade area. Lubricating the shutter blades will likely slow the shutter down and may eventually render it inoperable.

CS35 (w/ VCM-D1 and "T" blades) ¹

Time (msec.)

Parameter	Time (msec.)	
O - A	Delay time on opening after current applied	4.0
A - C	Transfer time on opening	13.0
O - C	Total opening time	17.0
C - E	Min. dwell time with min. input pulse	10.0
B - F	Min. equivalent exp. time	17.5
E - G	Transfer time on closing	30.0
A - G	Total window time	53.0
MET	Min. exposure time	20.0
TEP	Typical exposure pulse	>20.0

Product Options

CS35 **2** **3** **4** **5** **6** - **7** - **8**

Ex: CS35S3T0-EC-21

1 Shutter Series:

CS35

2 Voltage:

S: Use with VCM-D1

E: Use with D880C or VED24

3 Housing:

1: Un-Housed

3: #3 Housing

4 Blades: ²

T: Low Energy (Teflon®)

ZM: High Energy (AlMgF2) ³

5 Electronic Sync:

0: Omitted

1: Included

6 Connector:

L: 18" Flying Leads

Leave blank for 5-pin Switchcraft connector

7 Encapsulated Coil:

EC: Included

Leave blank if not required

8 Mount: ⁴

21: Zeiss Axiovert 105: C-Mount (Male)

24: Olympus BX/IX 106: C-Mount (Female)

27: Nikon Leave blank if not required

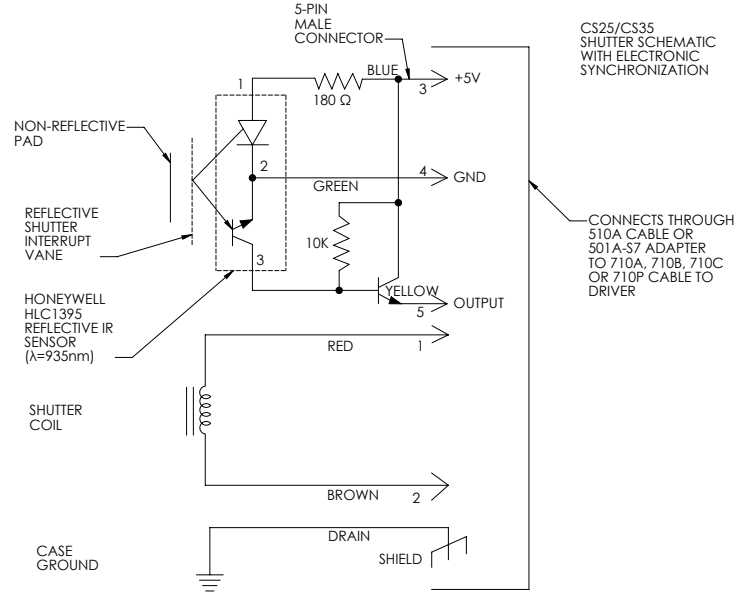
² Other blade coating options may be available by special order.

³ Input side only; Teflon® coating is on opposite side to protect shutter blade surface. Light source must be input to the reflective side only.

⁴ Mounts are only compatible if #3 housing is optioned as well.

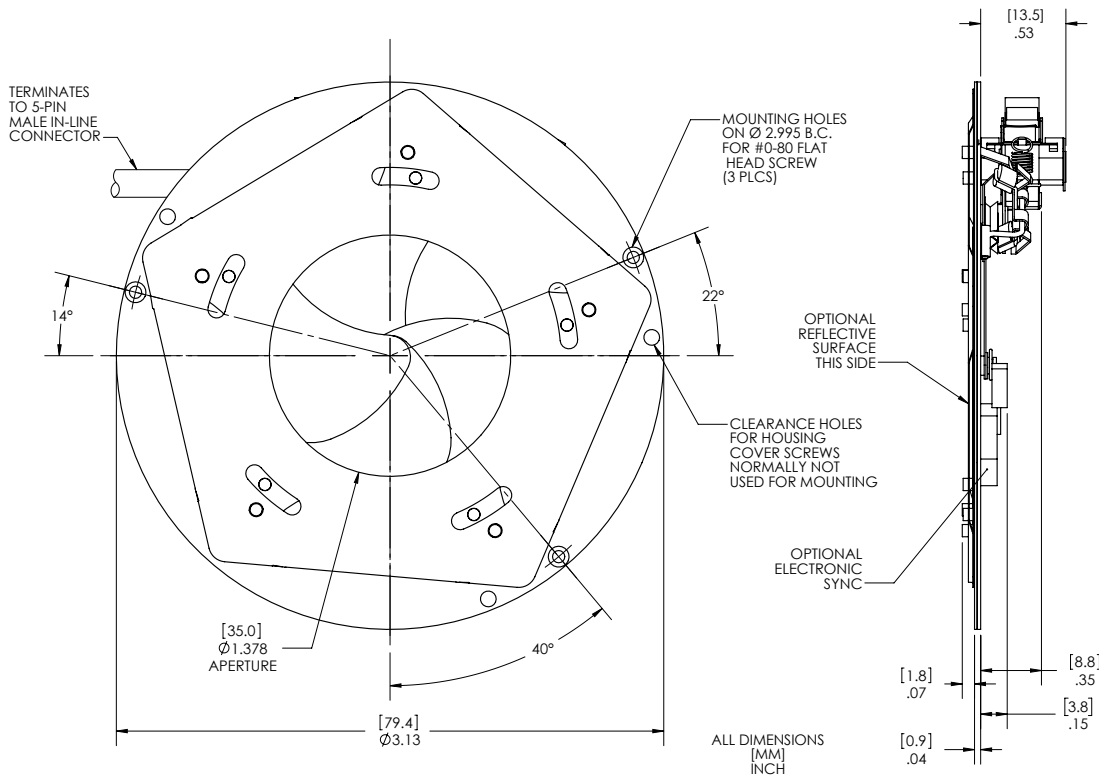
Electronic Sync.

The electronic synchronization system provides a feedback signal (through the driver utilized) after the shutter transfers to the open state. The system incorporates an infrared emitting diode, an infrared sensitive detecting transistor, and an interrupting vane. The vane is attached to the shutter so as to block the light path between the emitter and detector in the closed position. When the shutter transfers to the 80% open position, the vane is removed from the infrared light path, allowing the emitter to switch the detector to the active state. For the CS35, this system uses a similar activation flag attached to the mechanism, which triggers a reflective emitter/detector device. No connection to the designated synchronization pins when no electronic sync. is selected.

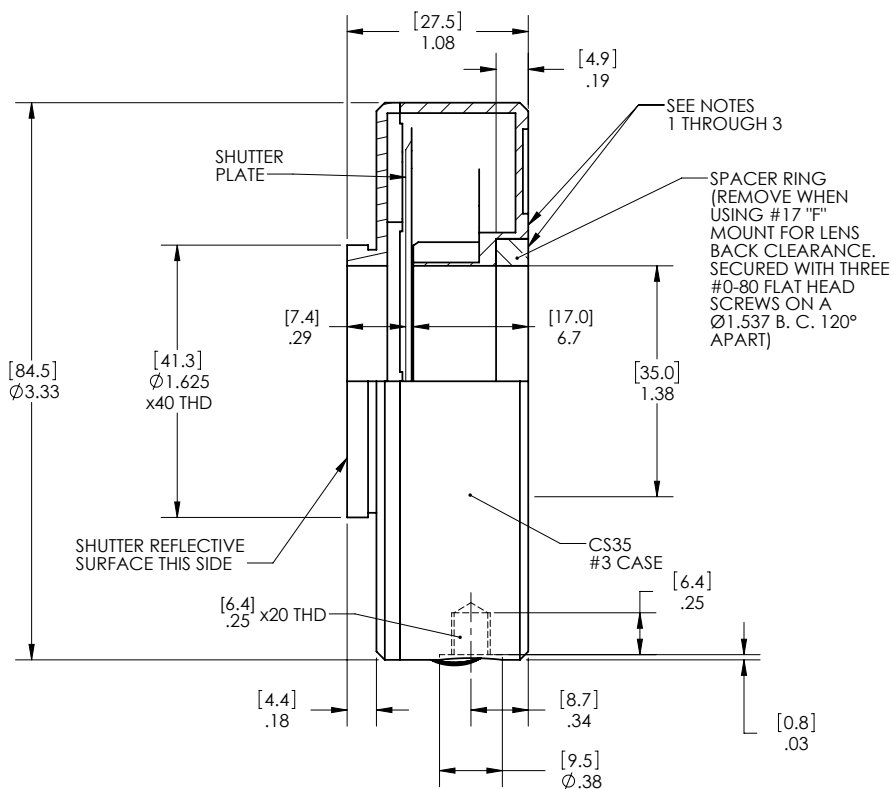


Uniblitz® CS35 Technical Drawings

Un-Housed



Housed



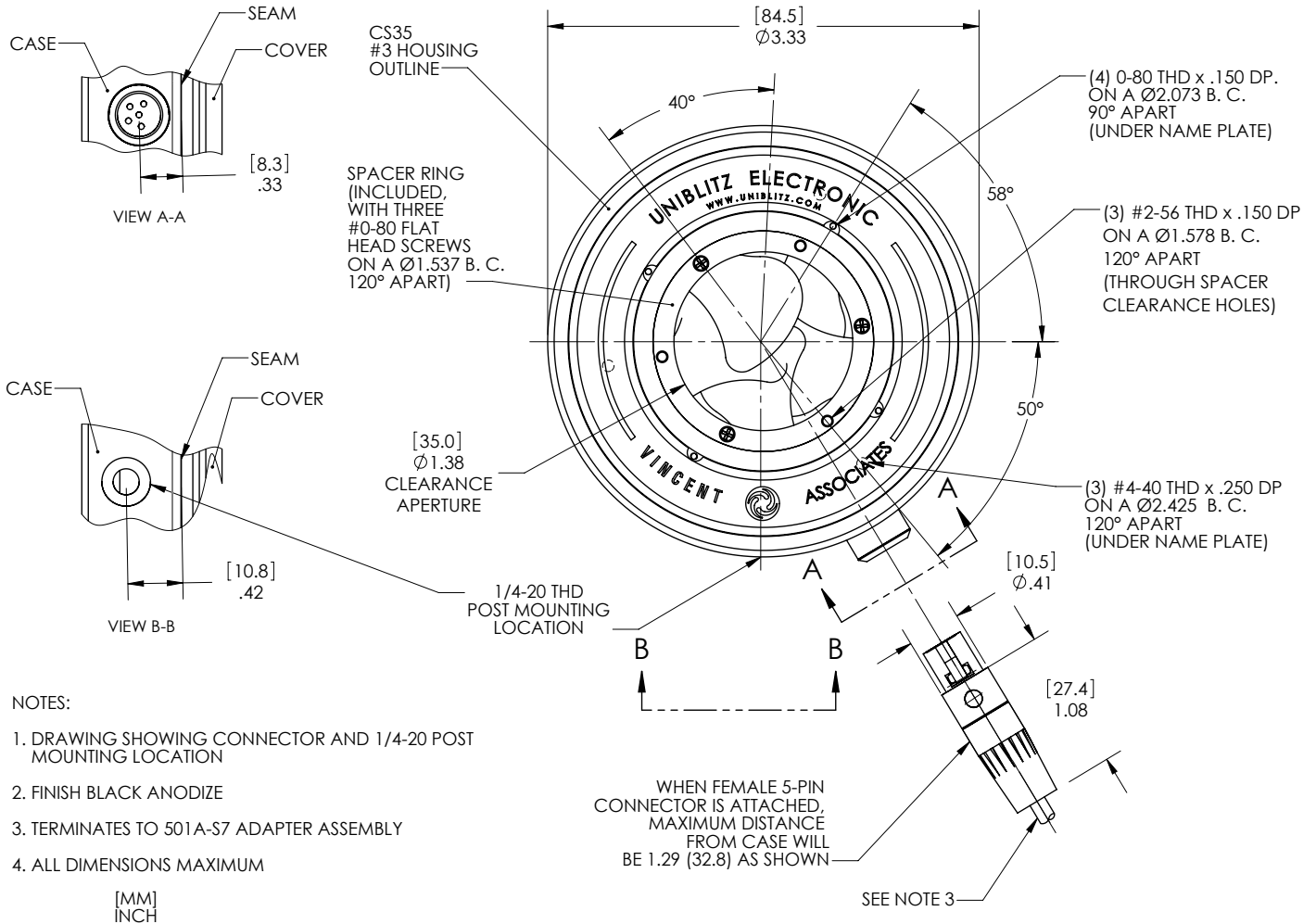
NOTES:

1. (4) #0-80 MOUNTING HOLES ON A Ø2.073 B. C. 90° APART. (UNDER NAME PLATE)
2. (3) #2-56 MOUNTING HOLES ON A Ø1.578 B. C. 120° APART. (THROUGH SPACER CLEARANCE HOLES)
3. (3) #4-40 MOUNTING HOLES ON A Ø2.425 B. C. 120° APART. (UNDER NAME PLATE)
4. ALL DIMENSIONS MAX.

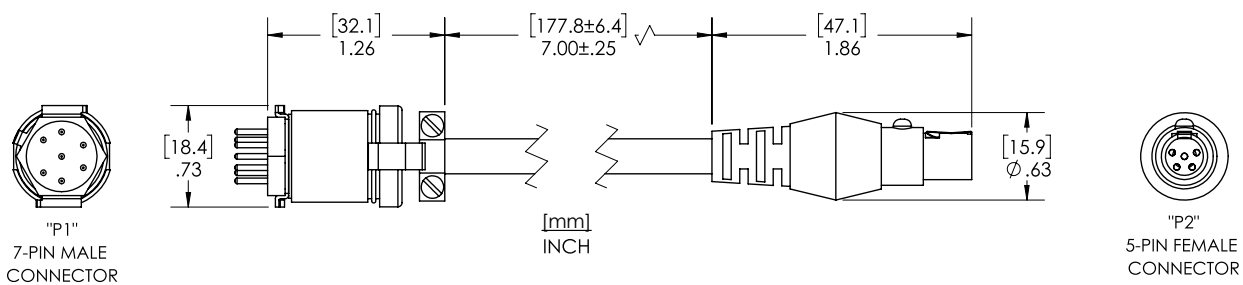
[MM]
INCH

Uniblitz® CS35 Technical Drawings

Connector Layout



501A-S7 Adapter Cable¹ (Not included)



¹ 501A-S7 Shutter Adapter Cable is required for use with VMM-D3, VMM-D4, D880C and any VCM-D1 purchased prior to November 2022.