



SCAN ME

**MIKROTRON**  
High-Speed Vision Solutions

GEN*i*CAM

CoaXPress  
The next generation digital interface

CXP-12



# EoSens<sup>®</sup> 1.1 CXP2

Engineered for  
highest  
Performance

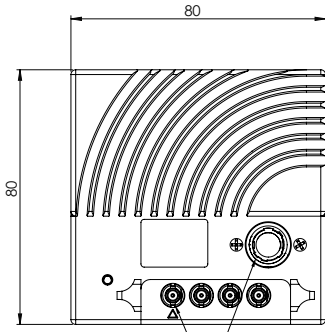
## EoSens<sup>®</sup> 1.1 CXP2 Key Features:

- 3,660 fps at 1.1 megapixel resolution
- Up to 224,600 fps at reduced resolution
- High sensitivity
- Fast CoaXPress-12 Interface
- 80 x 80 x 53 mm small

# EoSens® 1.1 CXP2

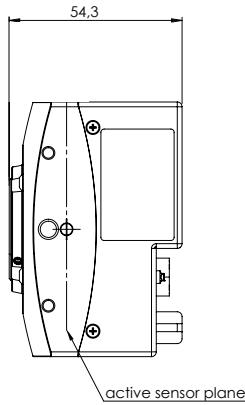
## Dimensions [mm]

### Back view



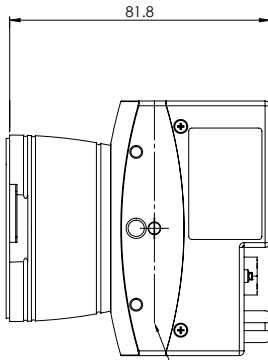
Micro BNC 75OHM ST JACK BULKHEAD Hirose HR 10A-10R-12Pb

### Side view w/n mount



active sensor plane

### Side view w/ F mount



active sensor plane

**Performance** Featuring a high-speed CMOS sensor, the EoSens® 1.1CXP2 offers 1,280 x 864 pixel at an outstanding speed of 3,660 fps combined with an integrated CoaXPRESS Version 2.0 with up to 4 lanes 12.5 Gbps for easy transmissions of this incredible data rate. Higher frame rates can be achieved by defining a region of interest. Based on the extremely high sensitivity the camera delivers excellent images even with low exposure times.

**High Sensitivity** The camera's extreme sensitivity of 20 V/lux\*s @ 550 nm delivers high-contrast images even in very low light conditions. This allows to integrate it in applications where lighting is the crucial point.

**Compact Design** Contained within an 80 x 80 x 53 mm in a fanless metal housing with highest data rates and an extremely fast CoaXPRESS Version 2.0 Interface, the EoSens® 1.1CXP2 is suited for use in a wide range of industrial applications.

- Smart Features**
- CoaXPRESS lanes switchable 1, 2 or 4
  - Supported link speed 3.125/6.25/12 Gbps
  - Gamma Correction
  - FPN Correction

Specifications	EoSens® 1.1 CXP2
Resolution	1.1 MP
Active Pixels	1,280 x 864 px
Interface	CXP @ 4 x 12.5 Gbit/s
Frame Rate, 8 bit	3,660 fps
Sensor	LUX13HS
Sensor Type	CMOS (Global Shutter)
Sensor Format Ø	4/3"
Active sensor area (H x V)	17.50 x 11.80 mm
Pixel Size	13.7 x 13.7 µm
Sensitivity (mono)	20 V/lux*s @ 550 nm
Pixel Data Width	10 / 8 bit
Dynamic Range	60 dB
Shutter Time / Steps	1 µs
Shutter Time / Range	2 µs – 1 s
Max. Jitter via CXP Trigger	±4 ns
Mount Options	C mount / F mount
Dimensions (W x H x L w/o mount)	80 x 80 x 53 mm
Weight w/o mount	450 g
Power consumption	11 W
Power supply	12 – 24 VDC
Camera body temp.	+5 °C ... +50 °C
Shock / Vibration proof	70 g / 7 grms
Conformity	CoaXPRESS / GenICam

Resolution [px]	Frame Rates [fps]
1,280 x 864	3,660
1,280 x 764	4,140
640 x 480	6,560
128 x 128	23,810
	max. 224,600



GENICAM CoaXPRESS The next generation digital interface CXP-12

## Markets and Application Examples



Melt pool monitoring	Additive Manufacturing
Ball grid inspection	Sorting
PIV measurements	Inspection
Roboter positioning	Microscopy

TKH A TKH TECHNOLOGY COMPANY



All trademarks are properties of their respective owners. MIKROTRON reserves the right of change without notice. MIKROTRON is not liable for harm or damage incurred by information contained in this document.

**MIKROTRON**  
High-Speed Vision Solutions

**Germany**  
Landshuter Str. 20-22  
85716 Unterschleissheim  
T.: +49(0)89-726342-00  
www.mikrotron.de  
info@mikrotron.de

**USA**  
14032 Hermosillo Way  
US-Poway, CA 92064  
T.: +1-858-774-1176  
www.mikrotron.de/en  
steve.farell@mikrotron.de



SCAN ME