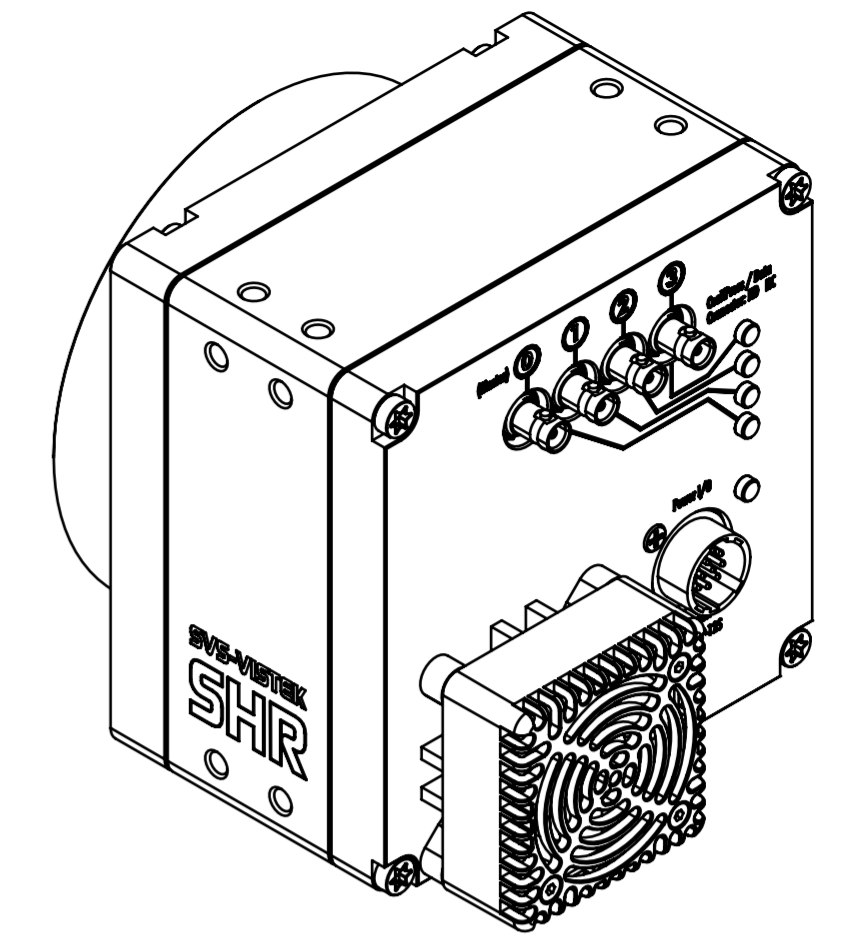
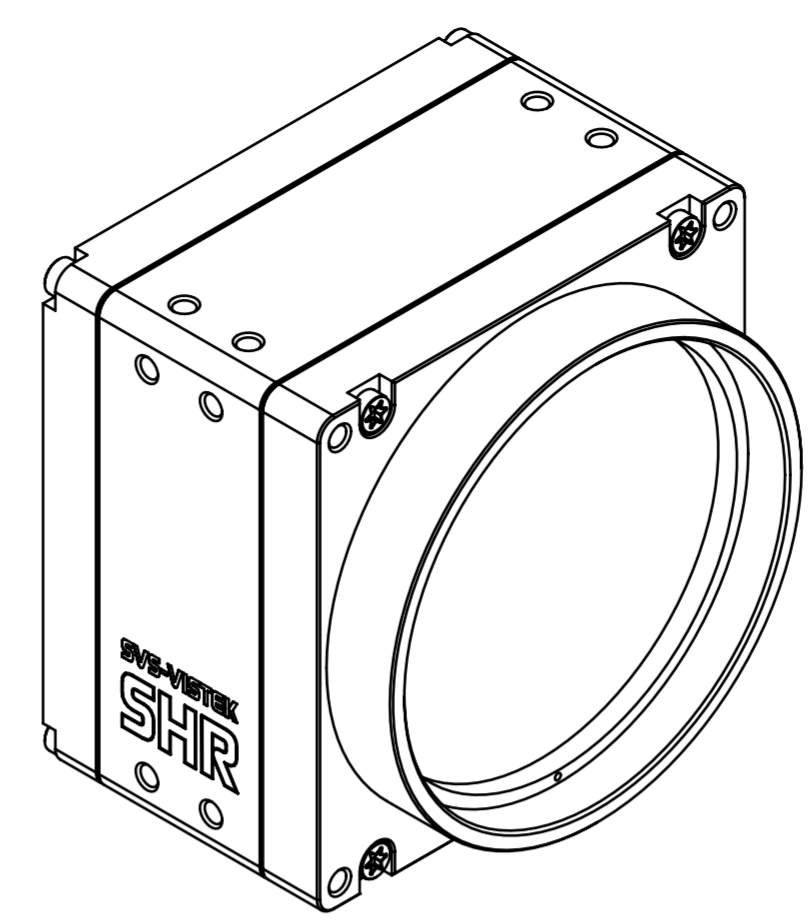
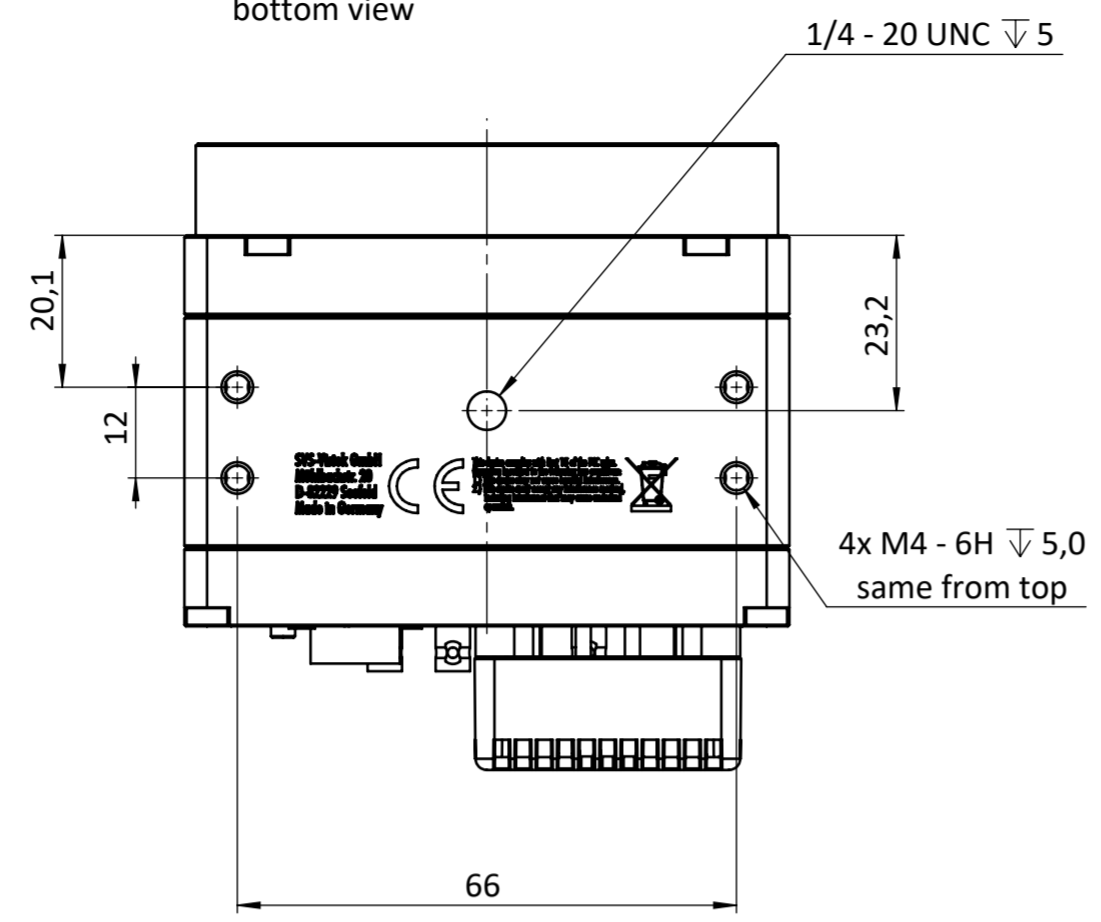
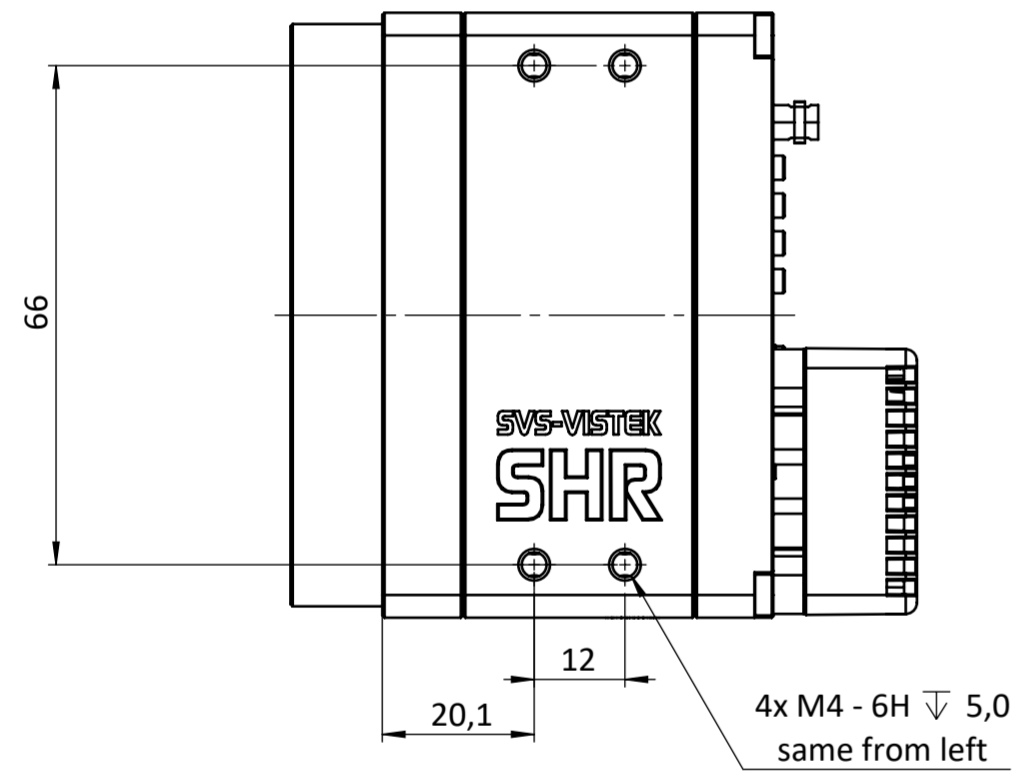


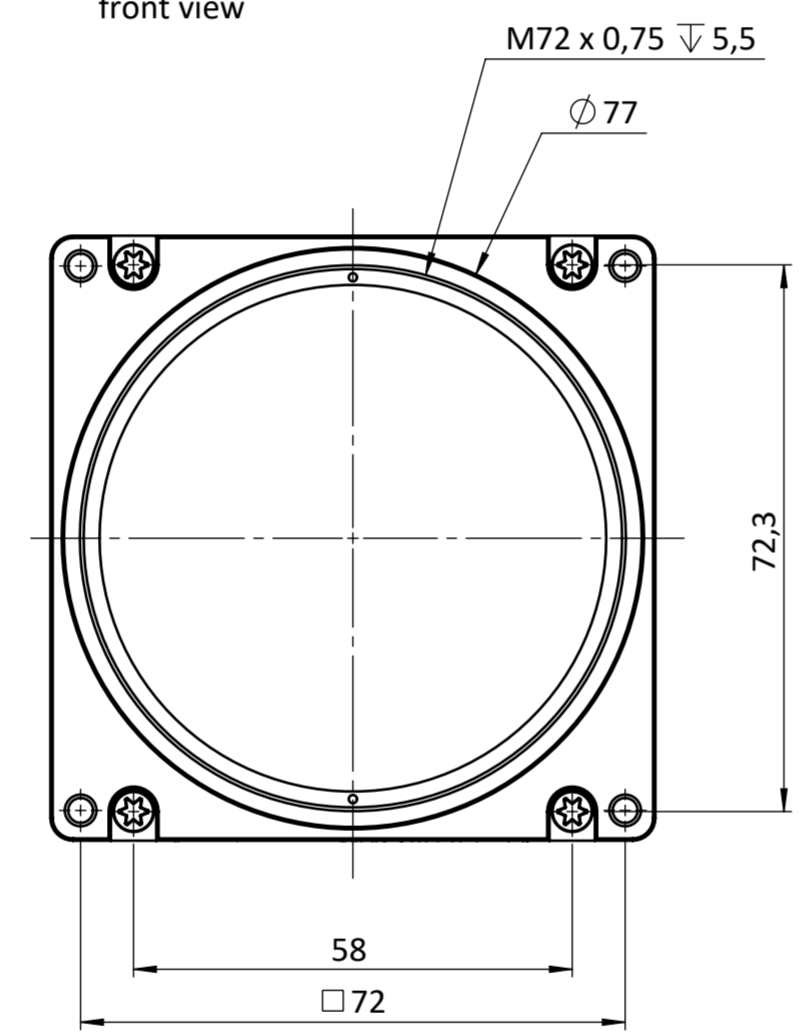
bottom view



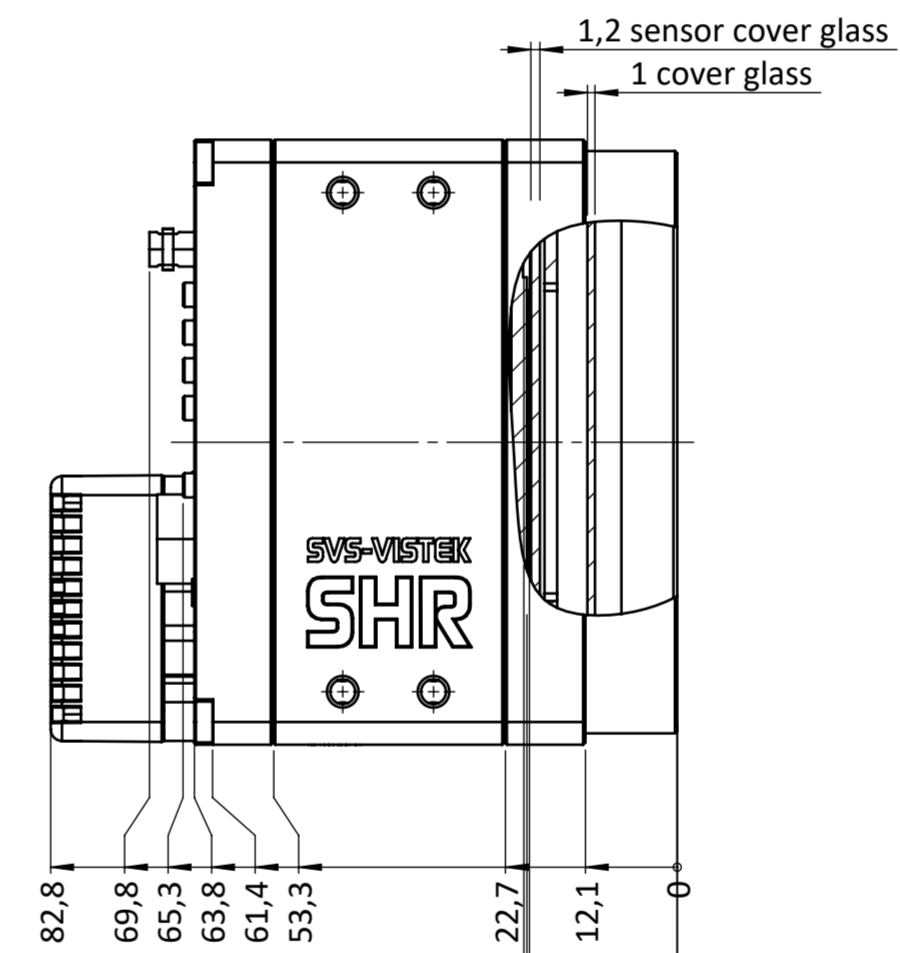
right view



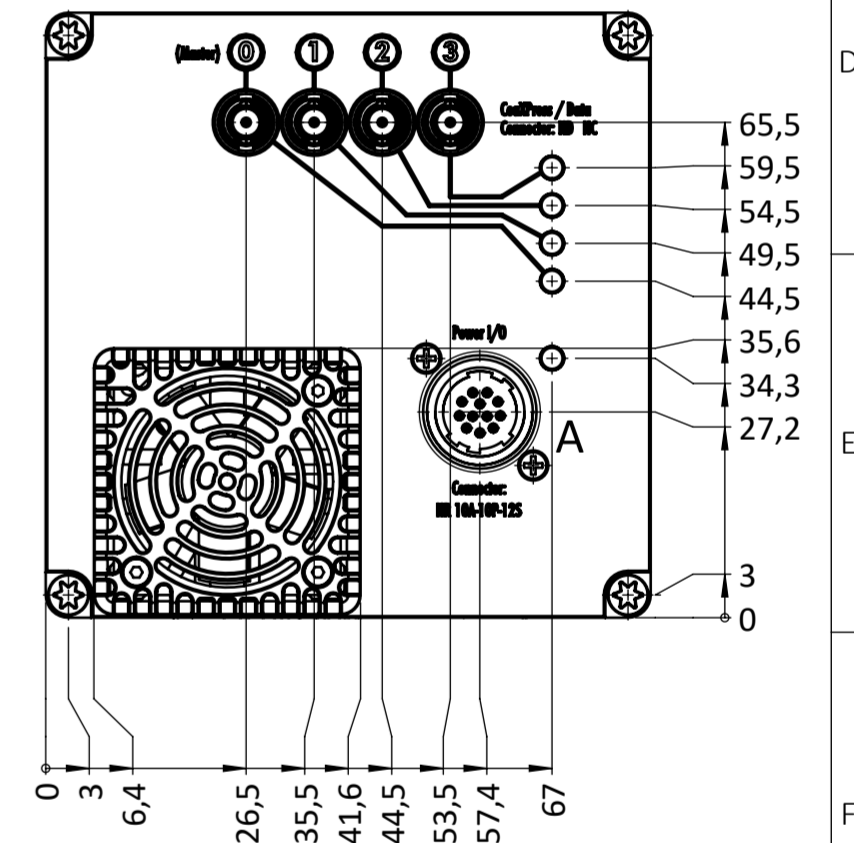
front view



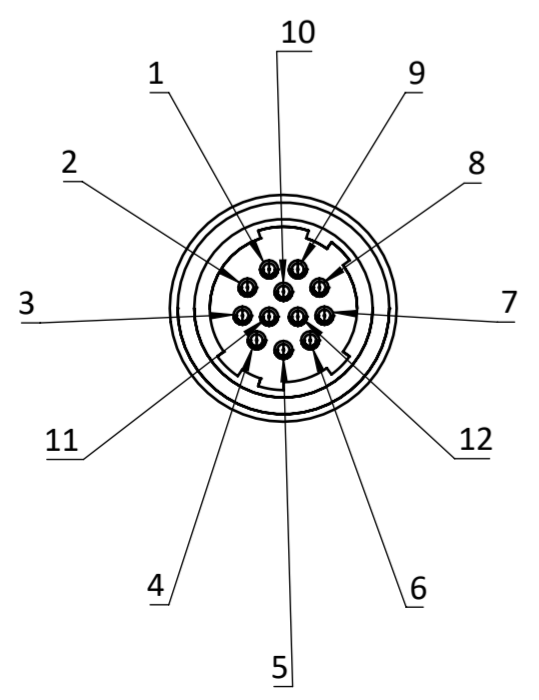
left view



back view



Hirose Connector



DETAIL A  
MAßSTAB 2 : 1

Hirose Pinout	
Pin	Signal
1	V IN- (GND)
2	V IN+ (10 - 25V)
3	IN 4 RxD (RS232)
4	OUT 4 TxD (RS232)
5	IN 1 (0 - 24V)
6	IN 2 (0 - 24V)
7	OUT 1 (open drain)
8	OUT 2 (open drain)
9	IN 3+ (opto IN+)
10	IN 3- (opto IN-)
11	OUT 3 (open drain)
12	OUT 0 (open drain)
	Shielding

19,55 optical distance

19,88 optical backfocus incl. cover glass compensation

20,28 mechanical adjustment without compensation

drawing applies to mono and color cameras

	all dimensions in mm unless otherwise specified		Scale: 1:1	Rev.: 1
	Customer Interface Drawing		Title: SHR661xCX	
Drawn: S.Seller	Sign:	Date: 25.08.2021	Material:	
Checked:	Weight:		Material No.:	A2
Blatt/Sheet 1 / 1			Weight:	