



Alvium 1800 C-130 VSWIR



- IMX990 VSWIR sensor
- ALVIUM image processing
- MIPI CSI-2 interface
- Various hardware options

Model without hardware options

Alvium 1800 C – High-performance camera modules for embedded vision

Machine vision sensors for embedded system developers

Alvium 1800 C-130 VSWIR with Sony IMX990 runs 119.0 frames per second at 1.3 MP resolution.

The powerful Alvium 1800 C MIPI CSI-2 camera series gives embedded system developers access to Sony’s high-performance image sensors popular in the machine vision industry. These sensors with resolutions up to 20 megapixels deliver excellent image quality and up to twice the frame rates compared to similar Alvium 1500 C models.

To operate Alvium CSI-2 cameras on your vision system, Allied Vision provides different access modes: - **Direct Register Access (DRA)** to control the cameras via registers for advanced users. - **Video4Linux2 Access** allows to control the cameras via established V4L2 API and applications like GStreamer and OpenCV. Open-source CSI-2 drivers are available on [GitHub](#) for different boards and system on chips (SoCs).

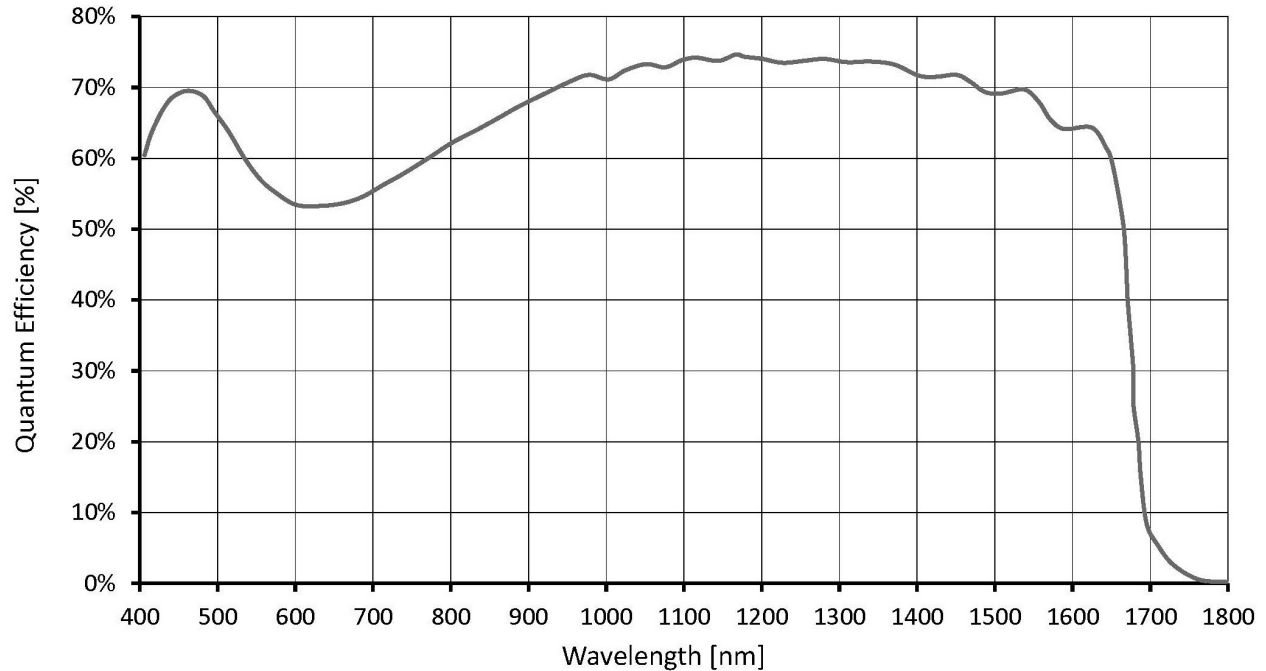
See the [Alvium Cameras Hardware Options](#) for lens mount and housing options, as well as the [Customization and OEM Solutions webpage](#) for additional options.

Specifications

Alvium 1800 C-130 VSWIR	
Interface	MIPI CSI-2, up to 4 lanes
Resolution	1296 (H) × 1032 (V)
Spectral range	400 to 1700 nm

Alvium 1800 C-130 VSWIR	
Sensor	Sony IMX990
Sensor type	InGaAs
Shutter mode	Global shutter
Sensor size	Type 1/2 VSWIR
Pixel size	5 μm \times 5 μm
Lens mounts (available)	C-Mount
Max. frame rate at full resolution	119 fps using 10-Bit mode
ADC	12 Bit
Image buffer (RAM)	256 KB
Non-volatile memory (Flash)	1024 KB
Output	
Bit depth	Max. 12 Bit
Raw pixel formats	RAW8 (GREY), RAW10 (Y10), RAW12 (Y12) [MIPI CSI-2 (FOURCC)]
General purpose inputs/outputs (GPIOs)	
TTL I/Os	2 programmable GPIOs
Operating conditions/dimensions	
Operating temperature	-20 °C to +65 °C (housing)
Power requirements (DC)	5 VDC over MIPI CSI-2
Mass	40 g
Body dimensions (L \times W \times H in mm)	26 \times 29 \times 29
Regulations	2011/65/EU, including amendment 2015/863/EU (RoHS)

Quantum efficiency



Features

Image control: Auto

- Auto exposure
- Auto gain

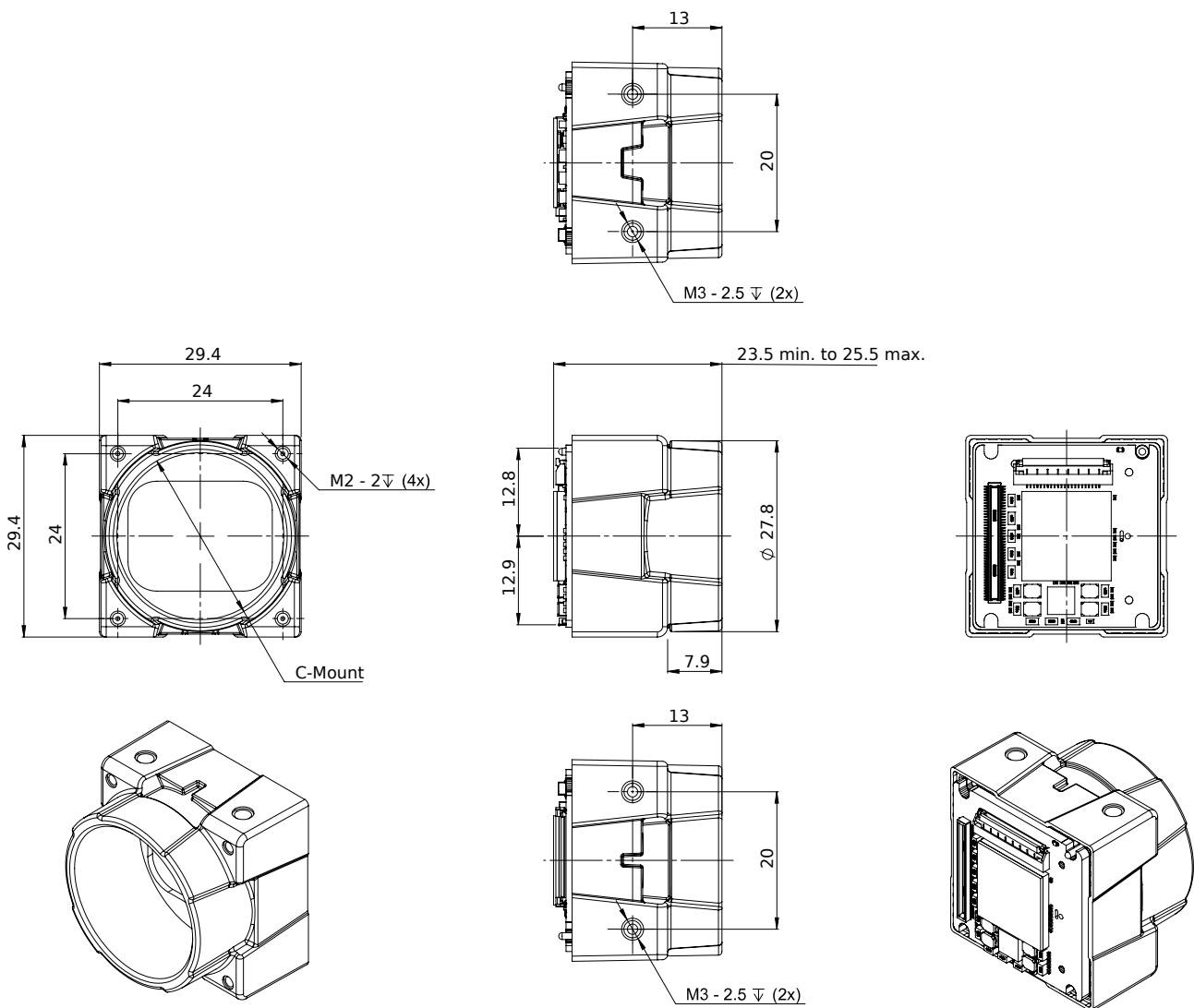
Image control: Other

- Black level
- DPC (defect pixel correction)
- FPNC (fixed pattern noise correction)
- Gamma
- Reverse X/Y
- ROI (region of interest)

Camera control

- Acquisition frame rate
- I/O and trigger control
- Temperature monitoring

Technical drawing



Applications

Alvium 1800 C-130 VSWIR cameras are sensitive in the visible and the SWIR spectrum and are well-suited for many typical SWIR applications in various industry branches:



- Semiconductor industry: Solar cell and chip inspection
- Recycling industry: Plastic sorting
- Medical imaging, sciences: Hyper- and multi-spectral imaging
- Glass industry: Defect detection through hot glass
- Agriculture industry: Airborne remote sensing
- Printing industry: Seeing hidden features
- Surveillance: Vision enhancement (for example, seeing through fog or haze)
- Security: Counterfeit detection (such as for money, faked hair, or skin)