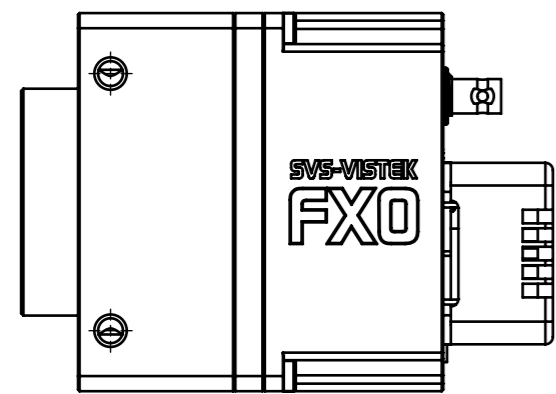
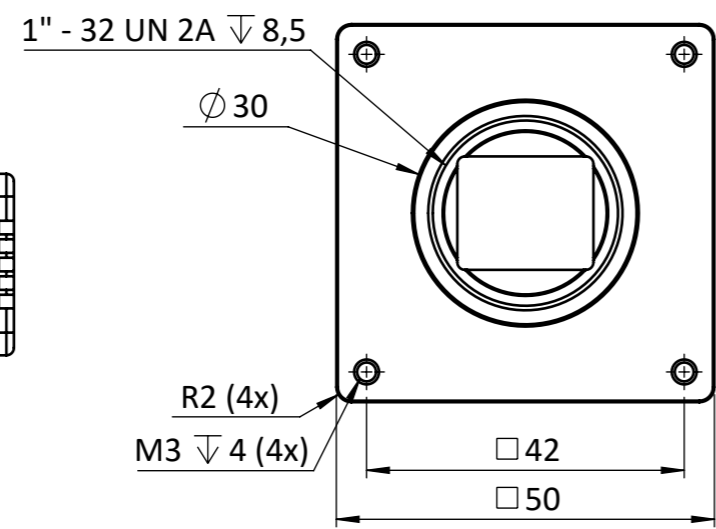


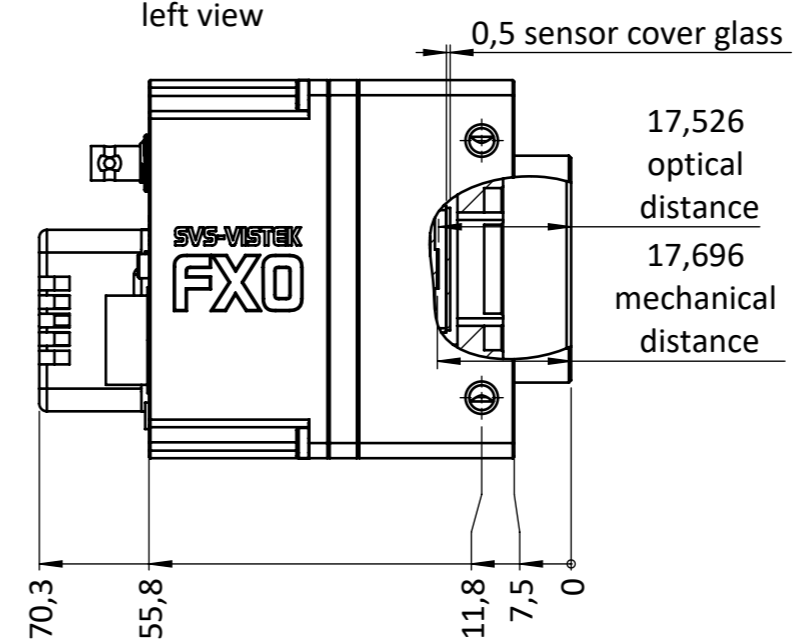
right view



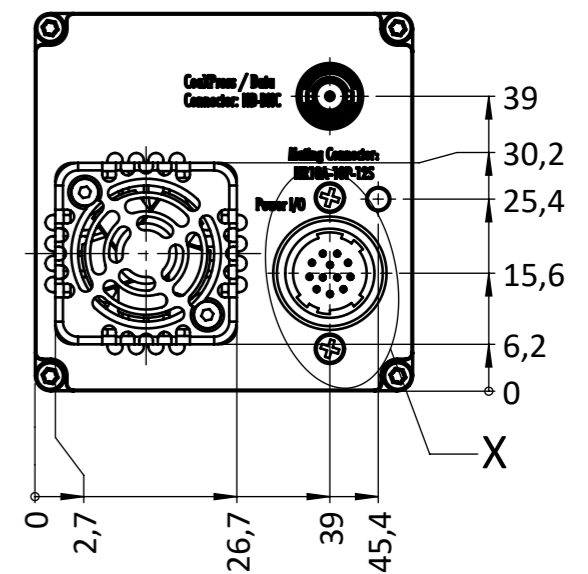
front view



left view

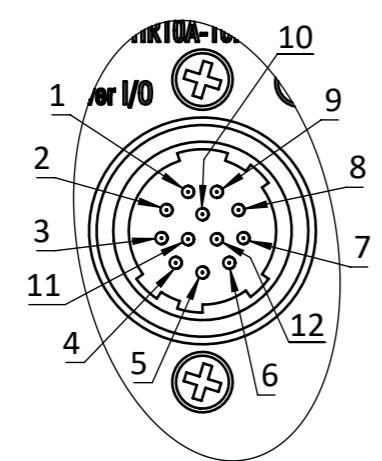


back view



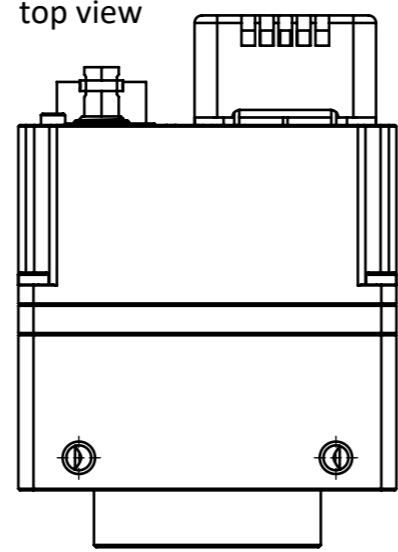
Hirose Pinout	
EXO, FXO, HR (CL Deca, CXP), SHR	
Pin	Signal EXO, HR (CL Deca, CXP), SHR
1	V IN- (GND)
2	V IN+ (10 - 25V)
3	IN 4 RxD (RS232)
4	OUT 4 TxD (RS232)
5	IN 1 (0 - 24V)
6	IN 2 (0 - 24V)
7	OUT 1 (open drain)
8	OUT 2 (open drain)
9	IN 3+ (opto IN+)
10	IN 3- (opto IN-)
11	OUT 3 (open drain)
12	OUT 0 (open drain)
	Shielding

Hirose Connector



DETAIL - X  
MAßSTAB 2 : 1

top view



	all dimensions in mm unless otherwise specified		Scale: 1:1	Rev.: 1									
	Customer Interface Drawing												
<table border="1"> <thead> <tr> <th>Name</th> <th>Sign.</th> <th>Date</th> </tr> </thead> <tbody> <tr> <td>W. Schreiber</td> <td></td> <td>26.11.2020</td> </tr> <tr> <td>S. Seiler</td> <td></td> <td>24.02.2021</td> </tr> </tbody> </table>	Name	Sign.	Date	W. Schreiber		26.11.2020	S. Seiler		24.02.2021			Title: FXO990MCX	
Name	Sign.	Date											
W. Schreiber		26.11.2020											
S. Seiler		24.02.2021											
Material:		Material No.:											
Weight:		Blatt / Sheet 1 / 1											

A3