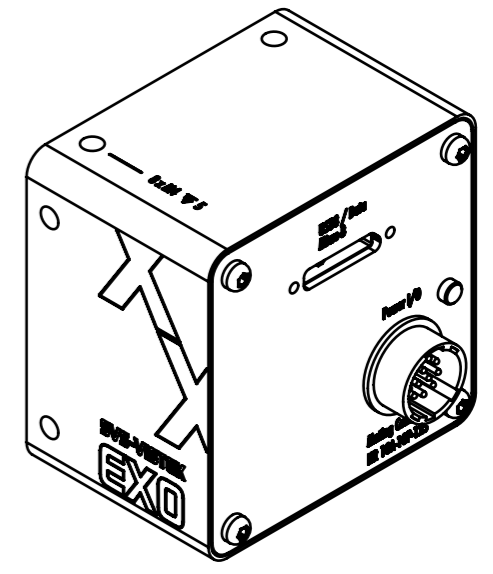
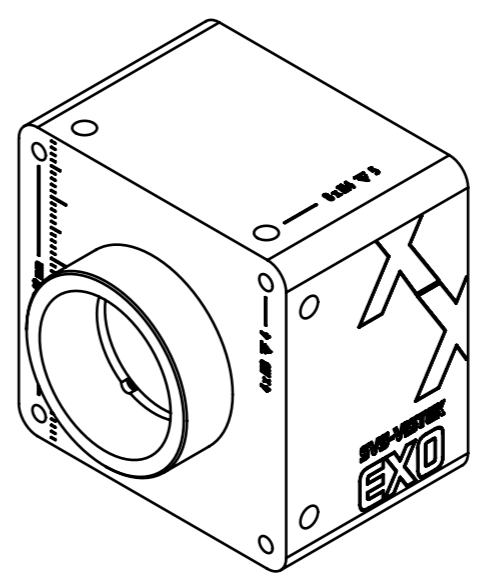
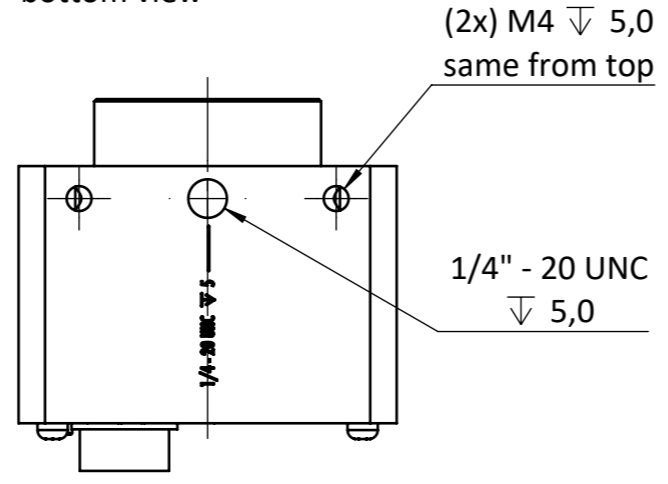
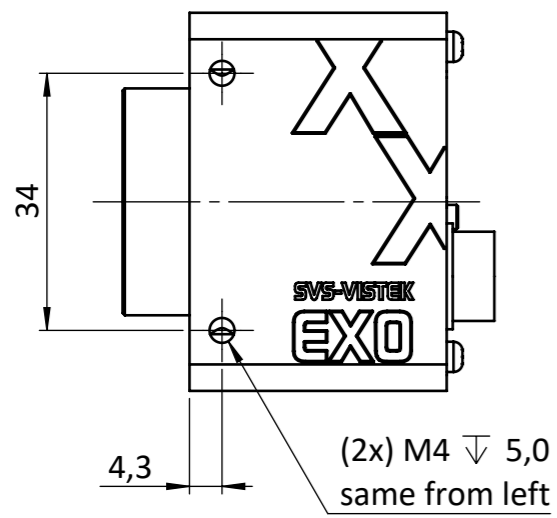


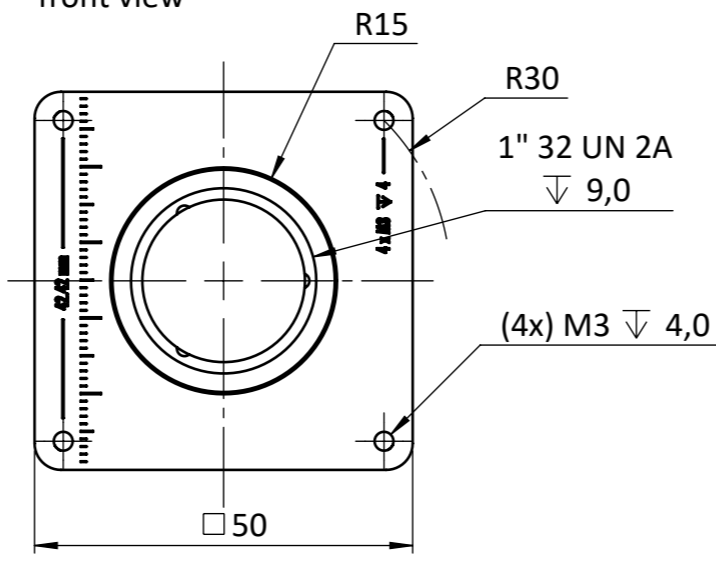
bottom view



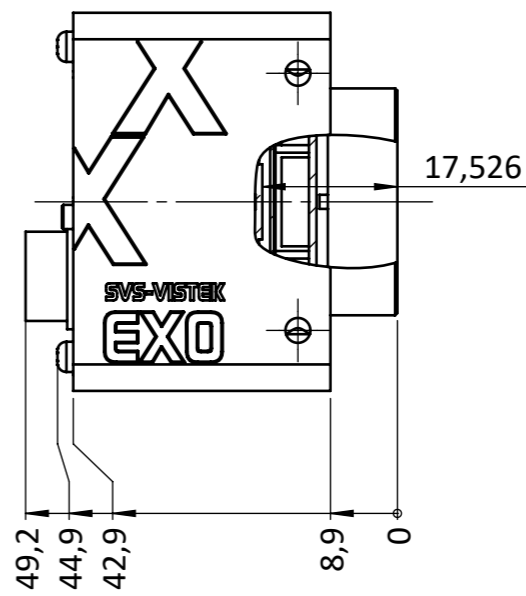
right view



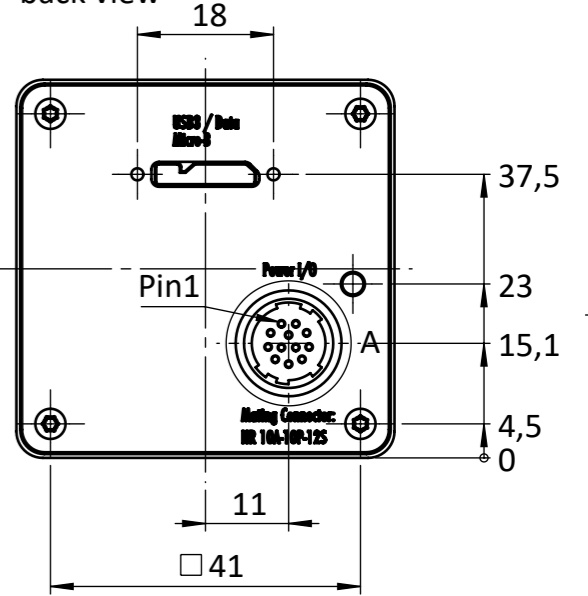
front view



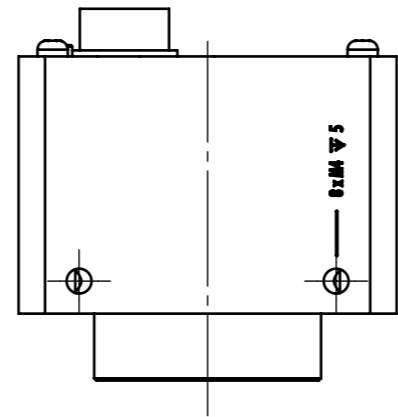
left view



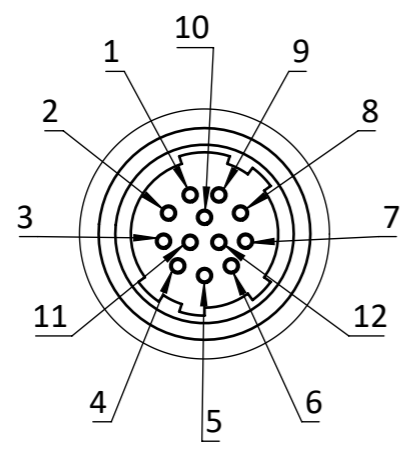
back view



top view



Hirose Connector



DETAIL A
MAßSTAB 2 : 1

Pin	Fn	Type
1	V In-	GND
2	V In+	10-25VDC
3	In 4	RxD RS232
4	Out 4	TxD RS232
5	In 1	0-24V
6	In 2	0-24V
7	Out 1	open drain
8	Out 2	open drain
9	In3+	opto In+
10	In3-	opto In-
11	Out 3	open drain
12	Out 0	open drain

NOTICE:
The sensor distance 17,526 mm is compensated for cover glass thickness
distance to cover glass = 10,7mm
distance to mounting ring = 9,2mm

drawing applies to
mono and color
cameras

EXO428xU3
EXO540xU3
EXO541xU3

	all dimensions in mm unless otherwise specified		Scale: 1:1	Rev.: 1						
	Customer Interface Drawing									
<table border="1"> <tr> <th>Name</th> <th>Sign.</th> <th>Date</th> </tr> <tr> <td>S.Seiler</td> <td></td> <td>19.05.2020</td> </tr> </table>	Name	Sign.	Date	S.Seiler		19.05.2020			Title: EXO428_540_541xU3	
Name	Sign.	Date								
S.Seiler		19.05.2020								
<table border="1"> <tr> <th>Checked</th> </tr> <tr> <td></td> </tr> </table>	Checked		Material:		Material No.:					
Checked										
Weight:		A3								