

A

B

C

D

E

F

A

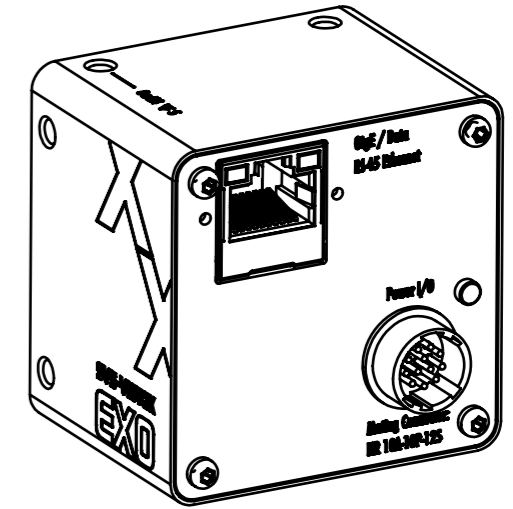
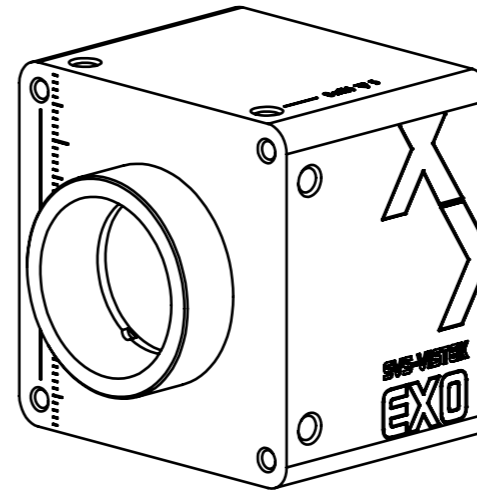
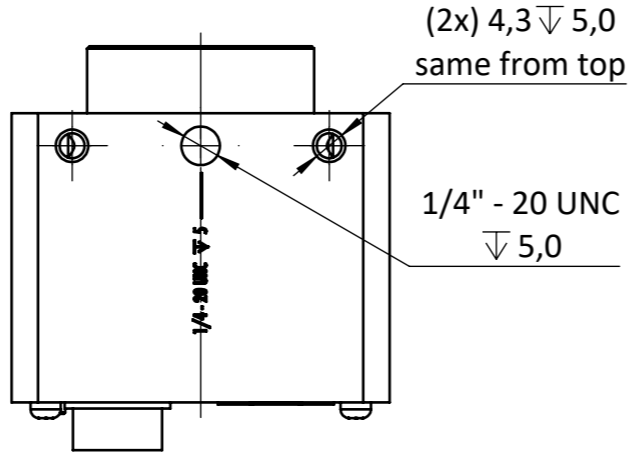
B

C

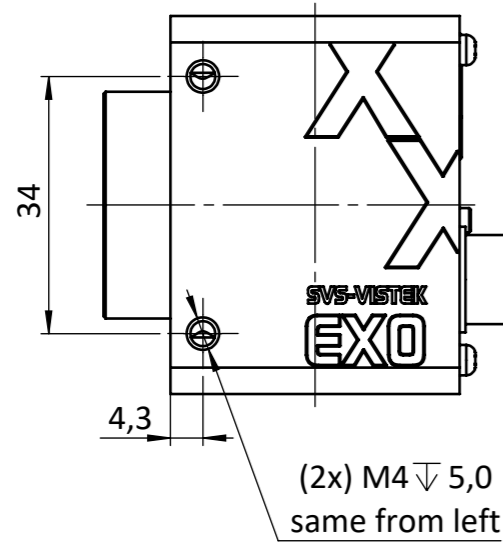
D

E

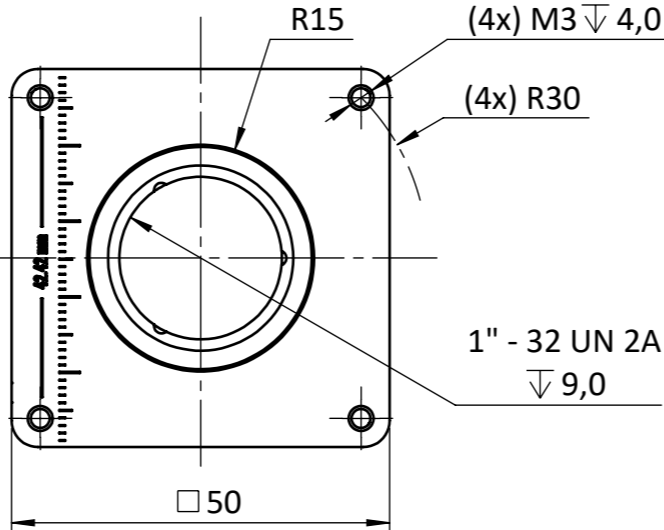
bottom view



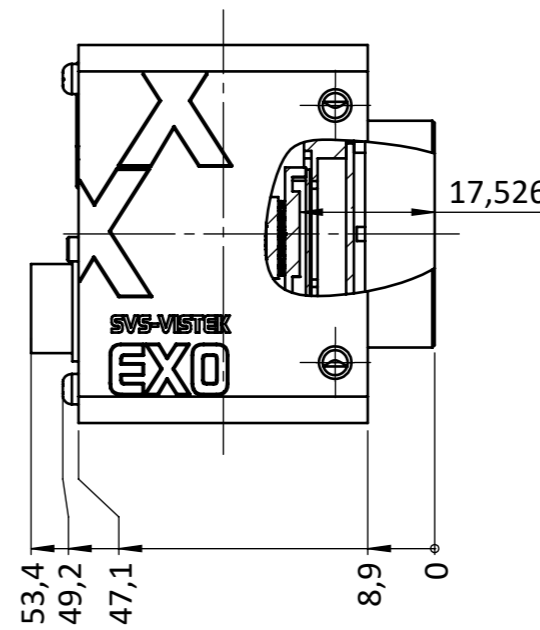
right view



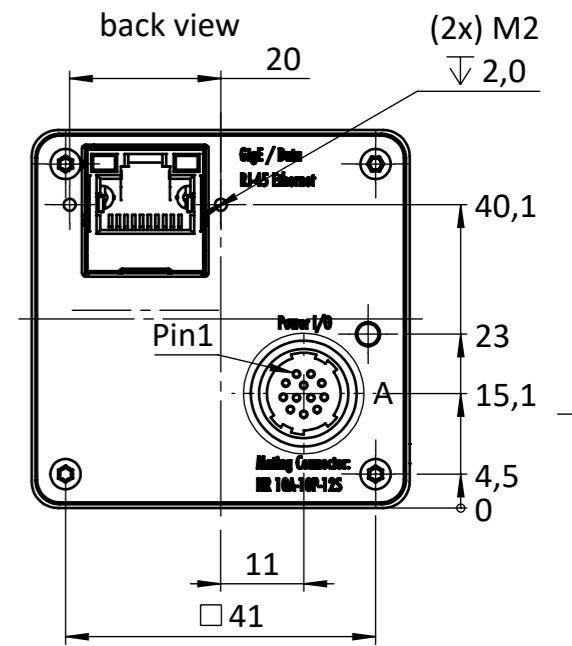
front view



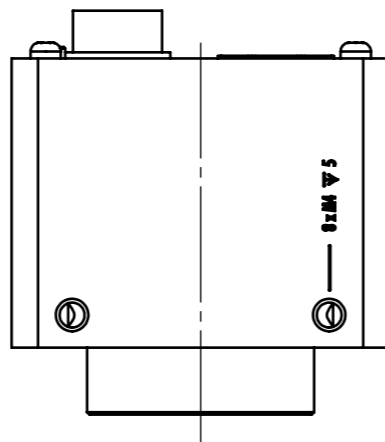
left view



back view

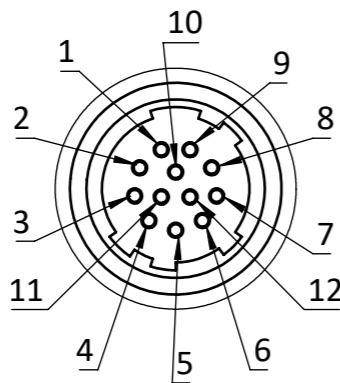


top view



Pin	Fn	Type
1	V In-	GND
2	V In+	10-25VDC
3	In 4	RxD RS232
4	Out 4	TxD RS232
5	In 1	0-24V
6	In 2	0-24V
7	Out 1	open drain
8	Out 2	open drain
9	In3+	opto In+
10	In3-	opto In-
11	Out 3	open drain
12	Out 0	open drain

Hirose Connector



DETAIL A
MAßSTAB 2 : 1

NOTICE:

The sensor distance 17,526 mm is compensated for cover glass thickness
distance to cover glass = 10,7mm
distance to mounting ring = 9,2mm

drawing applies to
mono and color cameras

		all dimensions in mm unless otherwise specified		Scale: 1:1	Rev.: 1									
<table border="1"> <thead> <tr> <th>Name</th> <th>Sign.</th> <th>Date</th> </tr> </thead> <tbody> <tr> <td>Drawn S.Benoist</td> <td></td> <td>07.08.2018</td> </tr> <tr> <td>Checked W.Schreiber</td> <td></td> <td>22.08.2018</td> </tr> </tbody> </table>		Name	Sign.	Date	Drawn S.Benoist		07.08.2018	Checked W.Schreiber		22.08.2018			Customer Interface Drawing Title: EXO4000xGE	
Name	Sign.	Date												
Drawn S.Benoist		07.08.2018												
Checked W.Schreiber		22.08.2018												
		Material:		Material No.:										
		Weight:		A3										
				Blatt / Sheet 1 / 1										