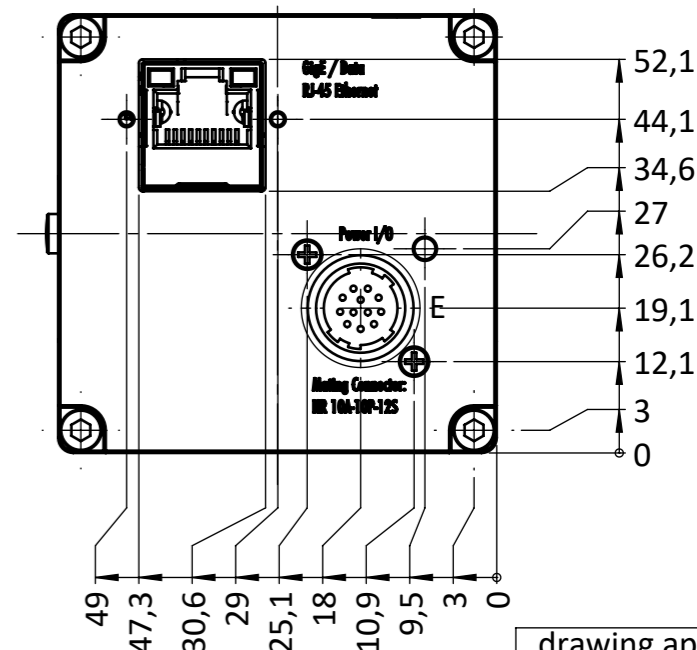
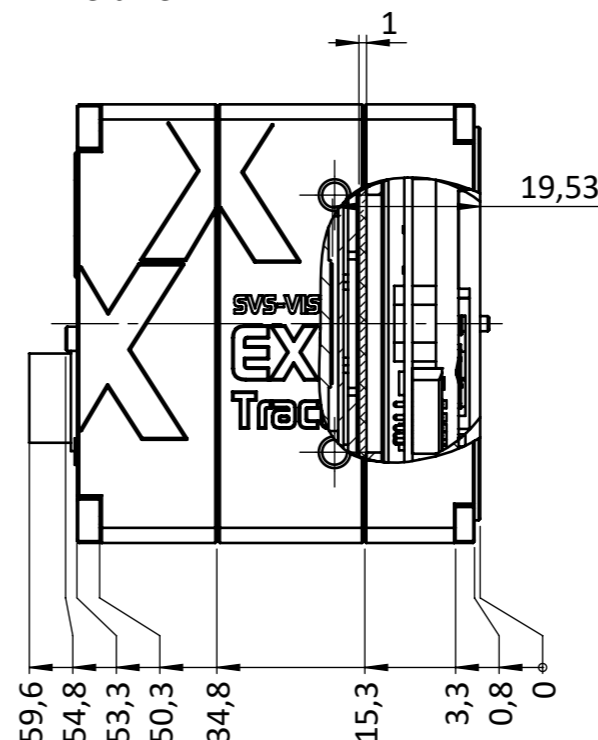
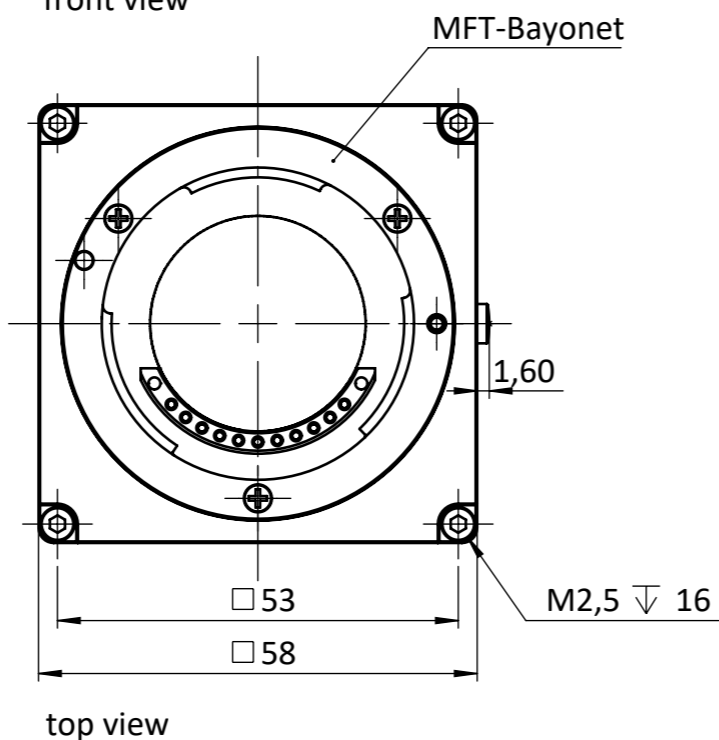
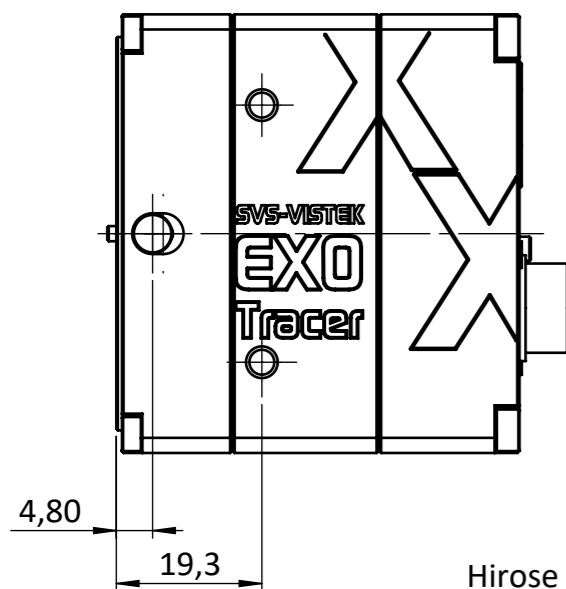


right view

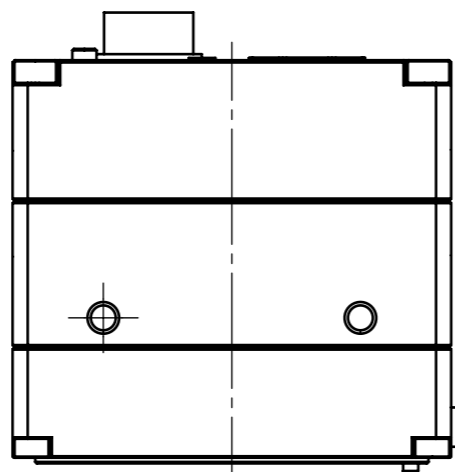
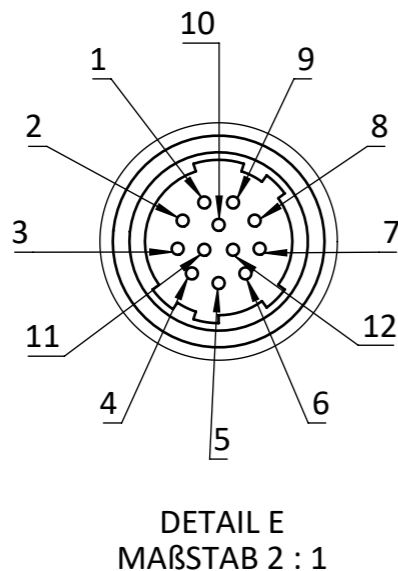
front view

left view

back view



Fn	Pin	Type
V In-	1	GND
V In+	2	10-25VDC
In 4	3	RxD RS232
Out 4	4	TxD RS232
In 1	5	0-24V
In 2	6	0-24V
Out 1	7	open drain
Out 2	8	open drain
In3+	9	opto In+
In3-	10	opto In-
Out 3	11	open drain
Out 0	12	open drain



NOTICE:
The sensor distance 19,53 mm is compensated for cover glass thickness

drawing applies to mono and color cameras
EXO367xGETR
EXO387xGETR

		all dimensions in mm unless otherwise specified	Scale: 1:1	Rev.:
Name: S.Benoist Sign.: Date: 20.05.2019			Customer Interface Drawing	
Title: EXO367_387xGETR_CID		Material No.:		
Material:		A3		
Weight:		Blatt / Sheet 1 / 1		