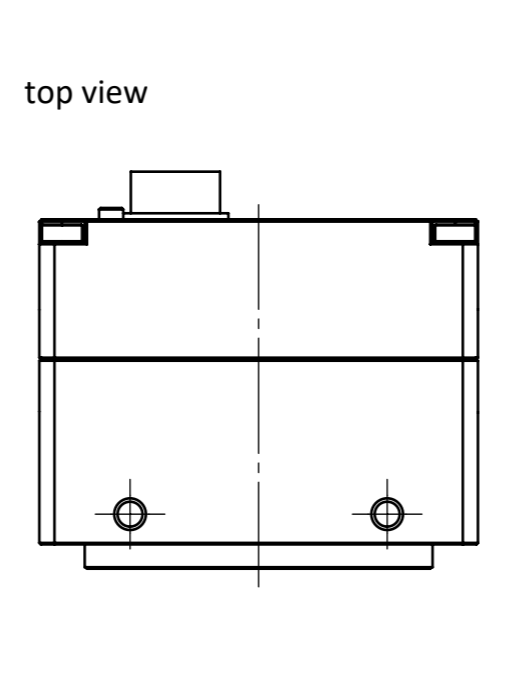
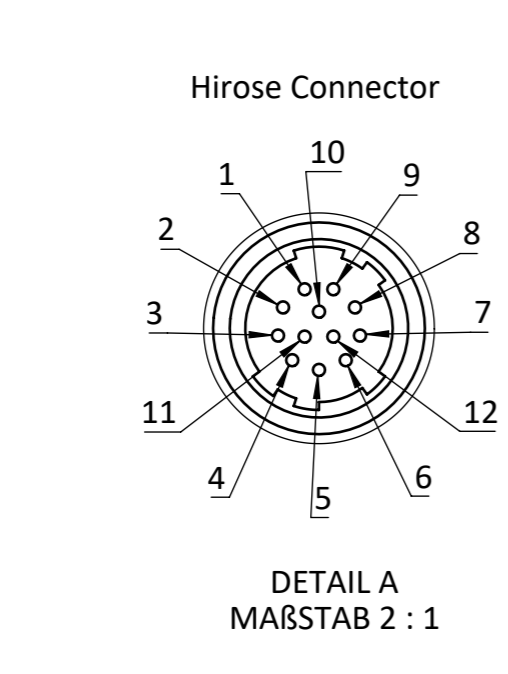


Pin	Fn	Type
1	V In-	GND
2	V In+	10-25VDC
3	In 4	RxD RS232
4	Out 4	TxD RS232
5	In 1	0-24V
6	In 2	0-24V
7	Out 1	open drain
8	Out 2	open drain
9	In3+	opto In+
10	In3-	opto In-
11	Out 3	open drain
12	Out 0	open drain



drawing applies to
 mono and color
 cameras

EXO342xU3
 EXO367xU3
 EXO387xU3

NOTICE:
 The sensor distance 11,48 mm is compensated
 for cover glass thickness

	all dimensions in mm unless otherwise specified		Scale: 1:1	Rev.: 1									
	Customer Interface Drawing												
<table border="1"> <thead> <tr> <th>Name</th> <th>Sign.</th> <th>Date</th> </tr> </thead> <tbody> <tr> <td>Drawn S.Benoist</td> <td></td> <td>24.01.2019</td> </tr> <tr> <td>Checked W.Schreiber</td> <td></td> <td>24.01.2019</td> </tr> </tbody> </table>	Name	Sign.	Date	Drawn S.Benoist		24.01.2019	Checked W.Schreiber		24.01.2019			Title: EXO342_367_387xU3	
Name	Sign.	Date											
Drawn S.Benoist		24.01.2019											
Checked W.Schreiber		24.01.2019											
Material:		Material No.:											
Weight:		Blatt / Sheet 1 / 1											