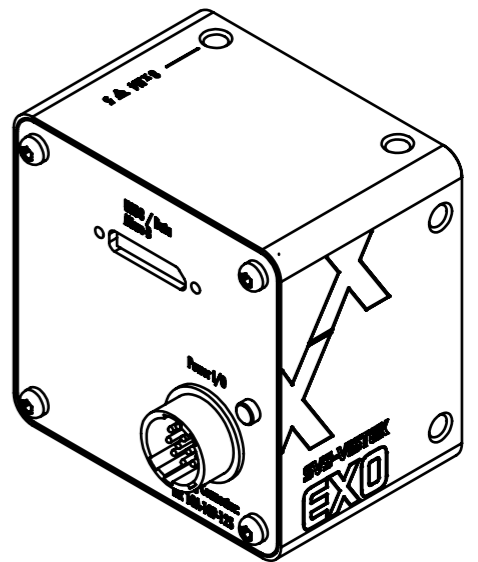
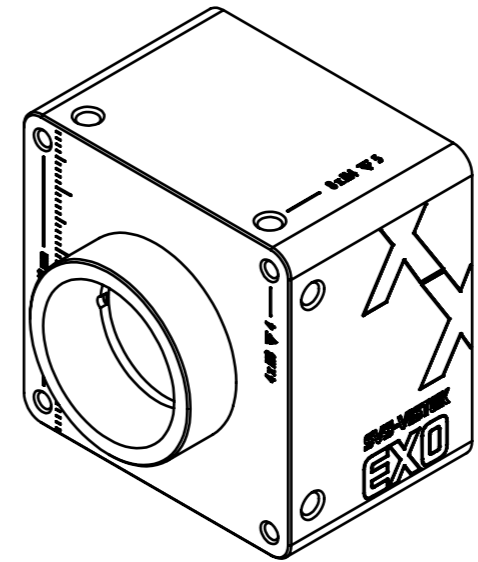
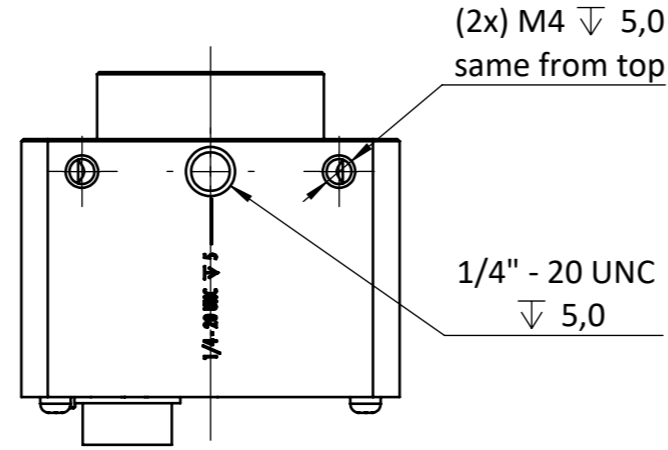
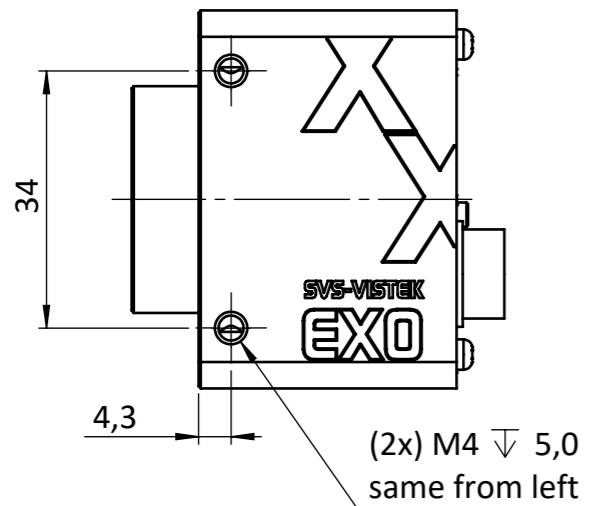


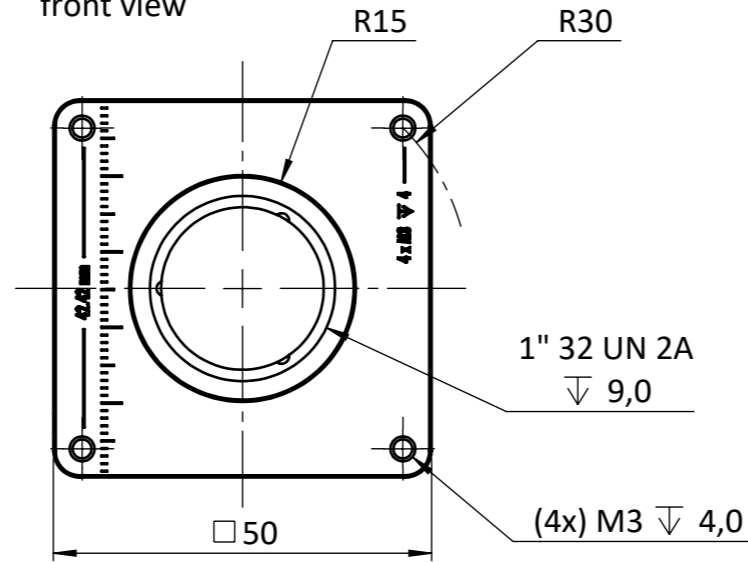
bottom view



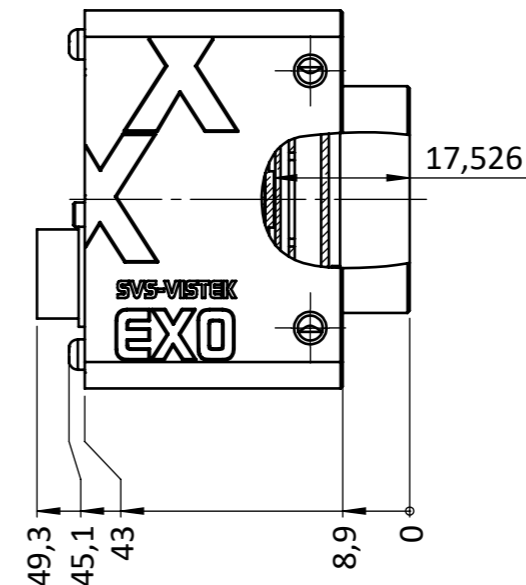
right view



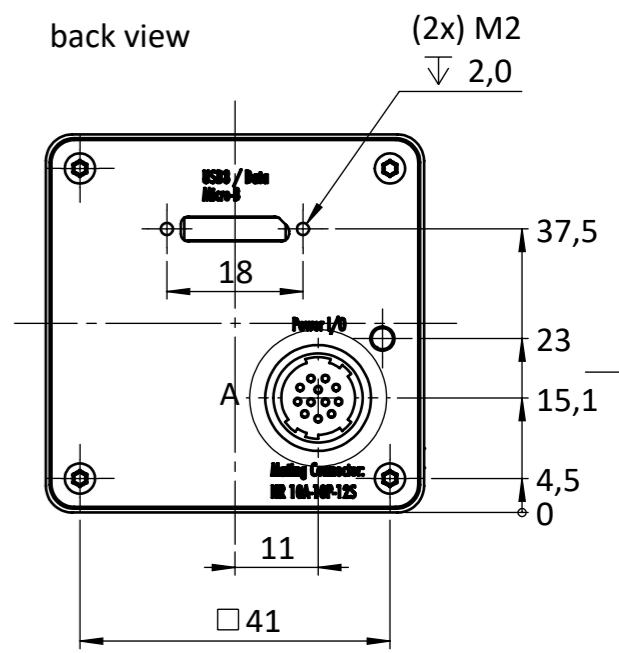
front view



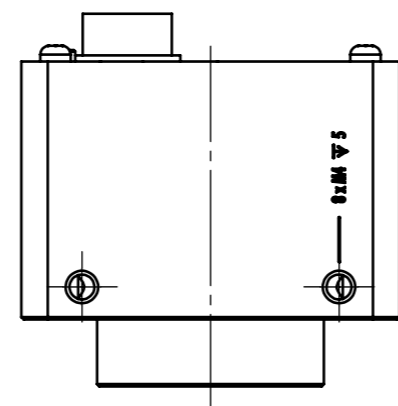
left view



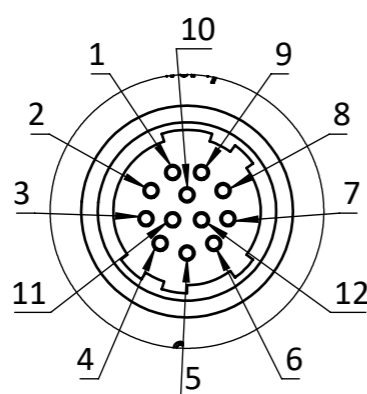
back view



top view



Hirose Connector



DETAIL A
MAßSTAB 2 : 1

| Pin | Fn | Type |
|-----|-------|------------|
| 1 | V In- | GND |
| 2 | V In+ | 10-25VDC |
| 3 | In 4 | RxD RS232 |
| 4 | Out 4 | TxD RS232 |
| 5 | In 1 | 0-24V |
| 6 | In 2 | 0-24V |
| 7 | Out 1 | open drain |
| 8 | Out 2 | open drain |
| 9 | In3+ | opto In+ |
| 10 | In3- | opto In- |
| 11 | Out 3 | open drain |
| 12 | Out 0 | open drain |

NOTICE:
The sensor distance 17,526 mm is compensated for cover glass thickness
distance to cover glass = 10,7mm
distance to mounting ring = 9,2mm

drawing applies to
mono and color
cameras

| |
|----------|
| EX253_U3 |
| EX255_U3 |
| EX267_U3 |
| EX304_U3 |

| | all dimensions in mm unless otherwise specified | | Scale: 1:1 | Rev.: 1 | | | | | | | | |
|---|---|---------------------|------------|---------|-----------------|--|------------|---------------------|--|------------|----------------------------------|--|
| | Customer Interface Drawing | | | | | | | | | | | |
| <table border="1"> <thead> <tr> <th>Name</th> <th>Sign.</th> <th>Date</th> </tr> </thead> <tbody> <tr> <td>Drawn S.Benoist</td> <td></td> <td>30.08.2018</td> </tr> <tr> <td>Checked W.Schreiber</td> <td></td> <td>31.08.2018</td> </tr> </tbody> </table> | | Name | Sign. | Date | Drawn S.Benoist | | 30.08.2018 | Checked W.Schreiber | | 31.08.2018 | Title: EXO253_255_267_304xU3_CID | |
| Name | Sign. | Date | | | | | | | | | | |
| Drawn S.Benoist | | 30.08.2018 | | | | | | | | | | |
| Checked W.Schreiber | | 31.08.2018 | | | | | | | | | | |
| Material: | | Material No.: | | A3 | | | | | | | | |
| Weight: | | Blatt / Sheet 1 / 1 | | | | | | | | | | |