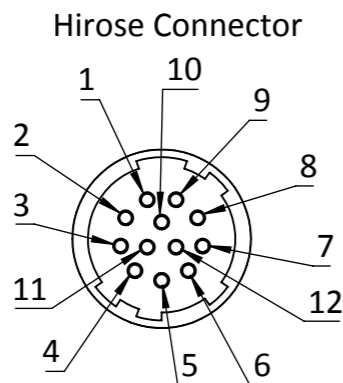
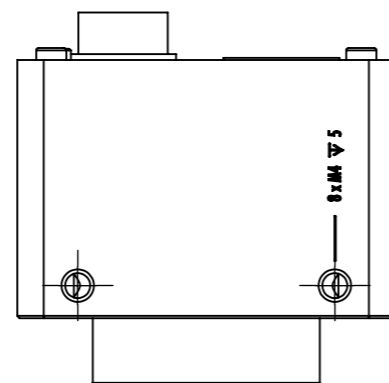


top view



Pin	Fn	Type
1	V In-	GND
2	V In+	10-25VDC
3	In 4	RxD RS232
4	Out 4	TxD RS232
5	In 1	0-24V
6	In 2	0-24V
7	Out 1	open drain
8	Out 2	open drain
9	In3+	opto In+
10	In3-	opto In-
11	Out 3	open drain
12	Out 0	open drain

**NOTICE:**  
 The sensor distance 17,526 mm is compensated for  
 cover glass thickness  
 distance to cover glass = 10,7mm  
 distance to mounting ring = 9,2mm

drawing applies to  
 mono and color  
 cameras  
 EXO253\_GE  
 EXO255\_GE  
 EXO267\_GE  
 EXO304\_GE

	all dimensions in mm unless otherwise specified		Scale: 1:1	Rev.: 1
	Customer Interface Drawing			
Name: H.Woywodt Date: 30.04.2017 Sign.: Checked:			Title: EXO304_GE	
Material:			Material No.:	
Weight:			A3	