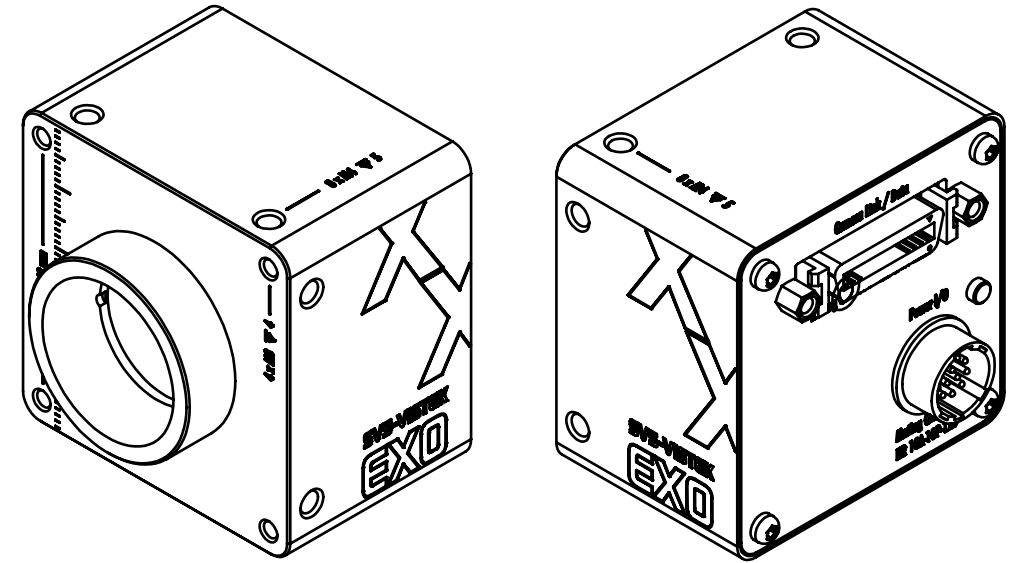
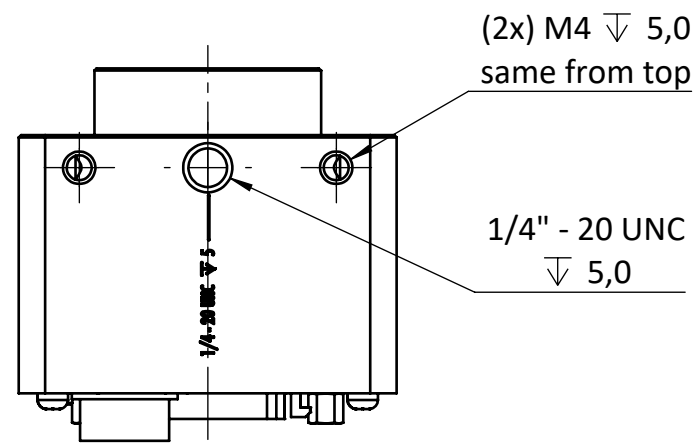
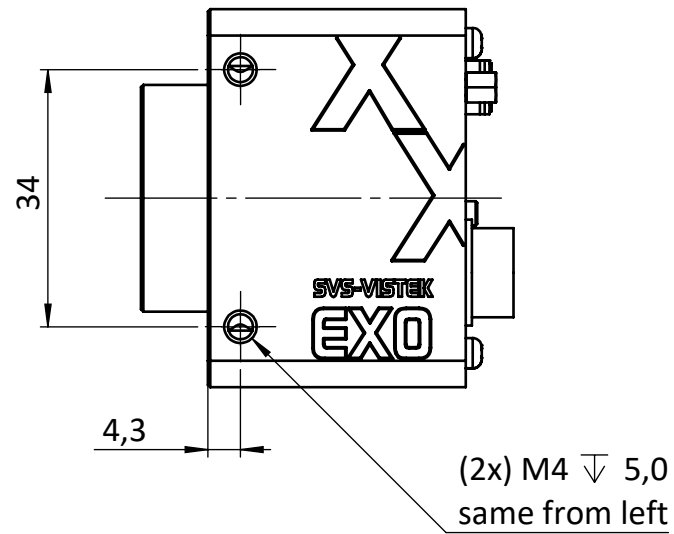


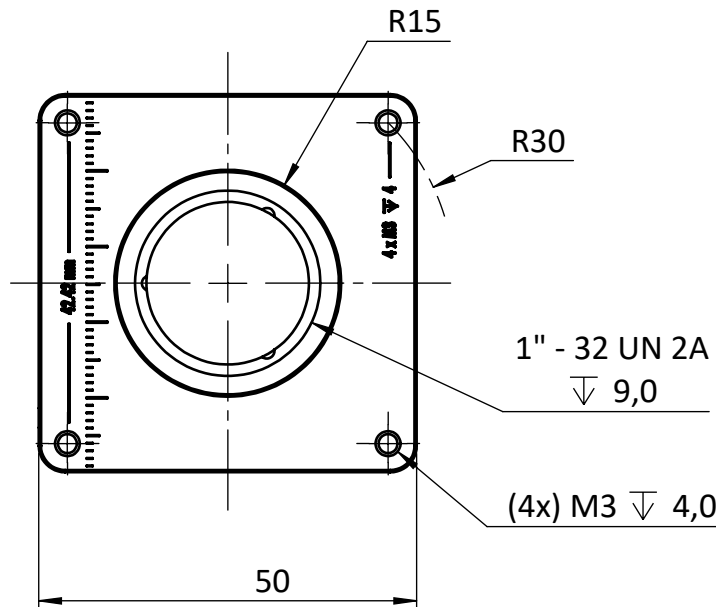
bottom view



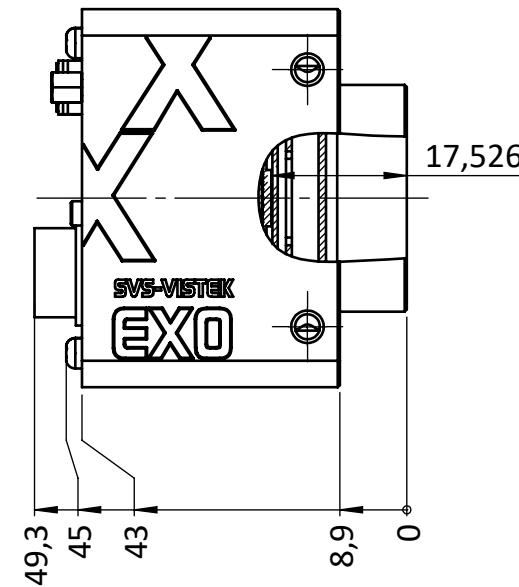
right view



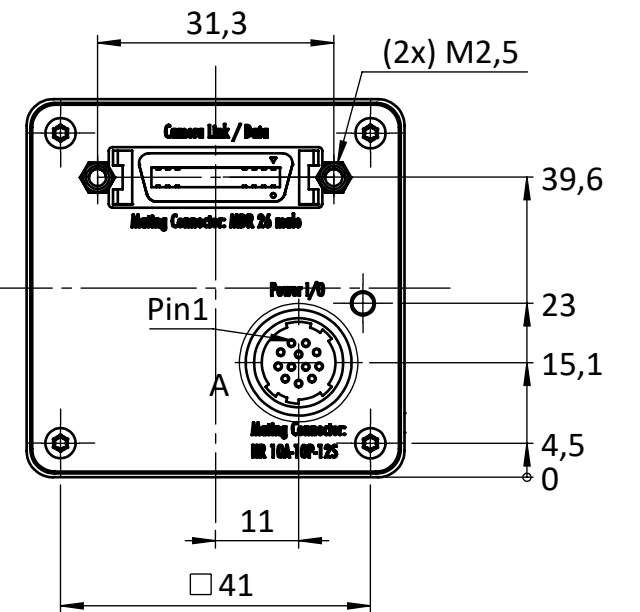
front view



left view

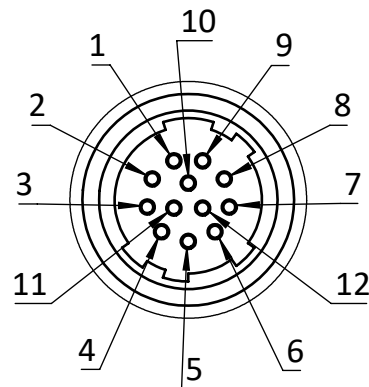


back view



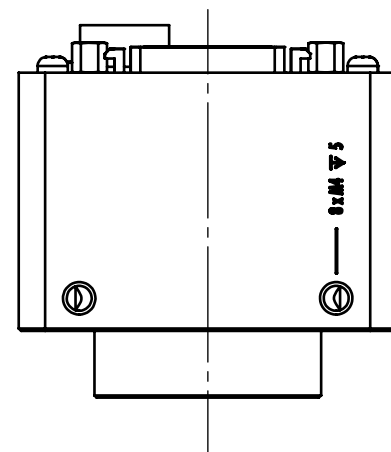
Hirose Connector

Pin	Fn	Type
1	V In-	GND
2	V In+	10-25VDC
3	In 4	RxD RS232
4	Out 4	TxD RS232
5	In 1	0-24V
6	In 2	0-24V
7	Out 1	open drain
8	Out 2	open drain
9	In3+	opto In+
10	In3-	opto In-
11	Out 3	open drain
12	Out 0	open drain



DETAIL A
MAßSTAB 2 : 1

top view



NOTICE:

The sensor distance 17,526 mm is compensated for cover glass thickness
distance to cover glass = 10,7mm
distance to mounting ring = 9,2mm

drawing applies to
mono and color
cameras

- EX253xCL
- EX255xCL
- EX267xCL
- EX304xCL

	all dimensions in mm unless otherwise specified		Scale: 1:1	Rev.: 1									
	Customer Interface Drawing												
<table border="1"> <thead> <tr> <th>Name</th> <th>Sign.</th> <th>Date</th> </tr> </thead> <tbody> <tr> <td>Drawn S.Benoist</td> <td></td> <td>30.08.2018</td> </tr> <tr> <td>Checked W.Schreiber</td> <td></td> <td>30.08.2018</td> </tr> </tbody> </table>	Name	Sign.	Date	Drawn S.Benoist		30.08.2018	Checked W.Schreiber		30.08.2018			Title: EXO253_255_267_304xCL	
Name	Sign.	Date											
Drawn S.Benoist		30.08.2018											
Checked W.Schreiber		30.08.2018											
Material:		Material No.:											
Weight:		A3											