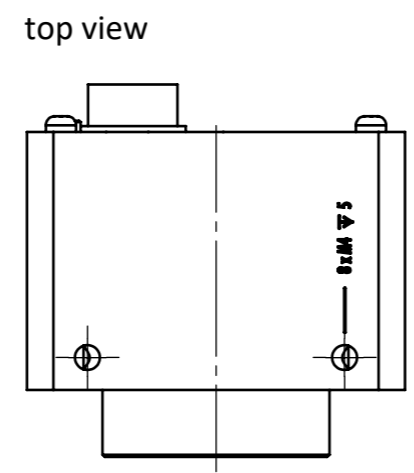
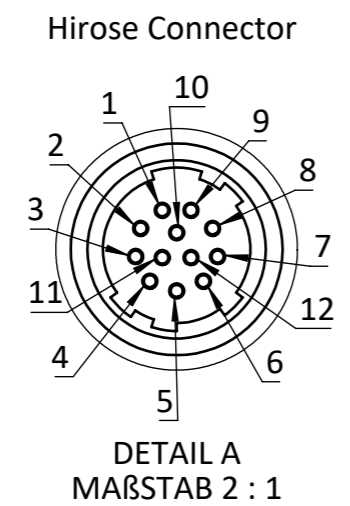


| Pin | Fn    | Type       |
|-----|-------|------------|
| 1   | V In- | GND        |
| 2   | V In+ | 10-25VDC   |
| 3   | In 4  | RxD RS232  |
| 4   | Out 4 | TxD RS232  |
| 5   | In 1  | 0-24V      |
| 6   | In 2  | 0-24V      |
| 7   | Out 1 | open drain |
| 8   | Out 2 | open drain |
| 9   | In3+  | opto In+   |
| 10  | In3-  | opto In-   |
| 11  | Out 3 | open drain |
| 12  | Out 0 | open drain |



**NOTICE:**  
 The sensor distance 17,526 mm is compensated for cover glass thickness  
 distance to cover glass = 10,7mm  
 distance to mounting ring = 9,2mm

drawing applies to  
 mono and color  
 cameras  
 EXO250\_U3  
 EXO252\_U3  
 EXO264\_U3  
 EXO265\_U3

|   | all dimensions in mm unless otherwise specified |                     | Scale: 1:1 | Rev.: 1         |  |            |                     |  |            |  |  |                                  |  |
|---|---|---------------------|------------|-----------------|--|------------|---------------------|--|------------|--|--|----------------------------------|--|
|   | Customer Interface Drawing                      |                     |            |                 |  |            |                     |  |            |  |  |                                  |  |
| <table border="1"> <thead> <tr> <th>Name</th> <th>Sign.</th> <th>Date</th> </tr> </thead> <tbody> <tr> <td>Drawn S.Benoist</td> <td></td> <td>21.08.2018</td> </tr> <tr> <td>Checked W.Schreiber</td> <td></td> <td>22.08.2018</td> </tr> </tbody> </table> | Name  | Sign.               | Date       | Drawn S.Benoist |  | 21.08.2018 | Checked W.Schreiber |  | 22.08.2018 |  |  | Title: EXO250_252_264_265xU3_CID |  |
| Name  | Sign.   | Date                |            |                 |  |            |                     |  |            |  |  |                                  |  |
| Drawn S.Benoist   |   | 21.08.2018          |            |                 |  |            |                     |  |            |  |  |                                  |  |
| Checked W.Schreiber   |   | 22.08.2018          |            |                 |  |            |                     |  |            |  |  |                                  |  |
| Material:   |   | Material No.:       |            | A3              |  |            |                     |  |            |  |  |                                  |  |
| Weight:   |   | Blatt / Sheet 1 / 1 |            |                 |  |            |                     |  |            |  |  |                                  |  |