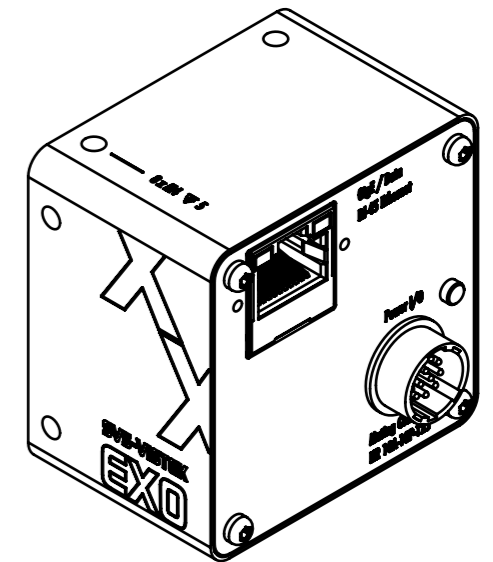
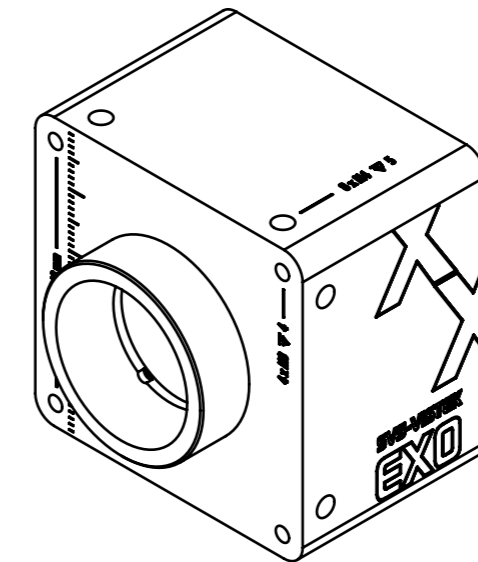
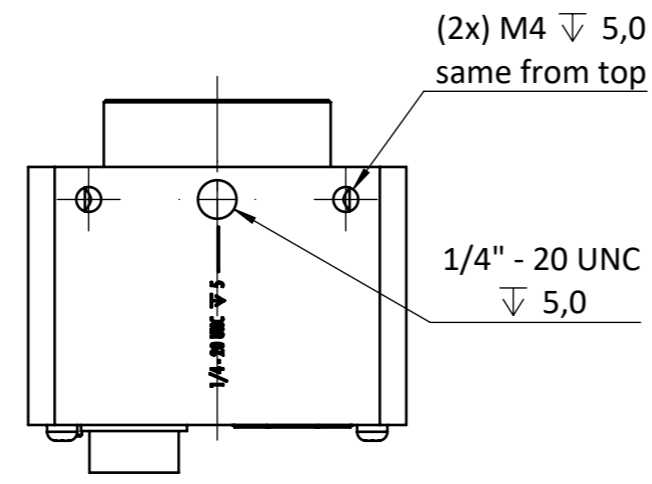
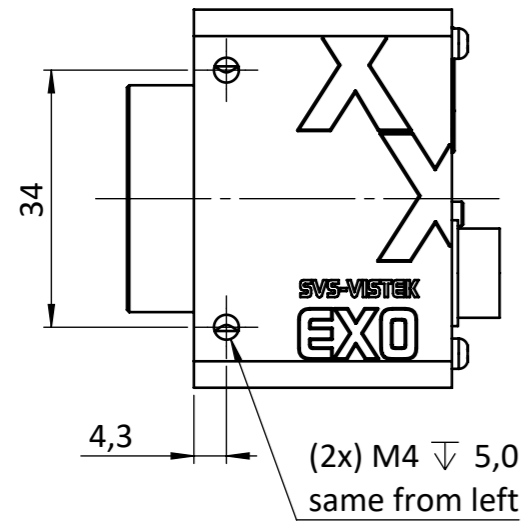


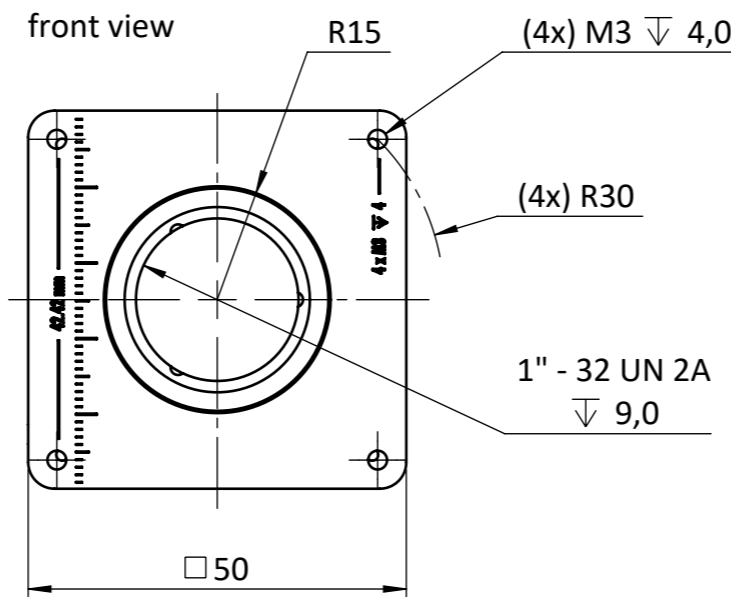
bottom view



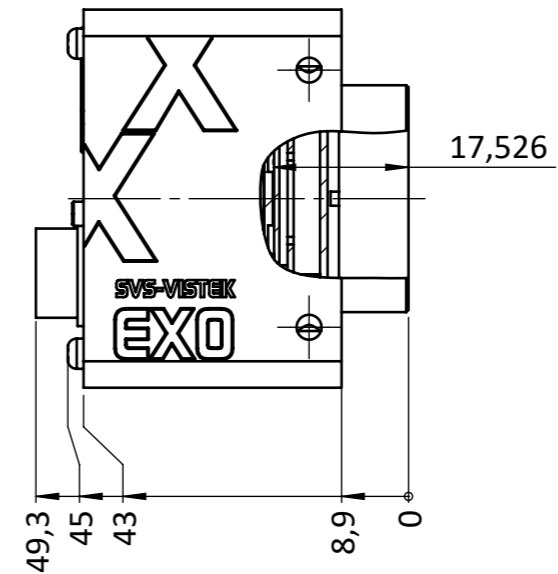
right view



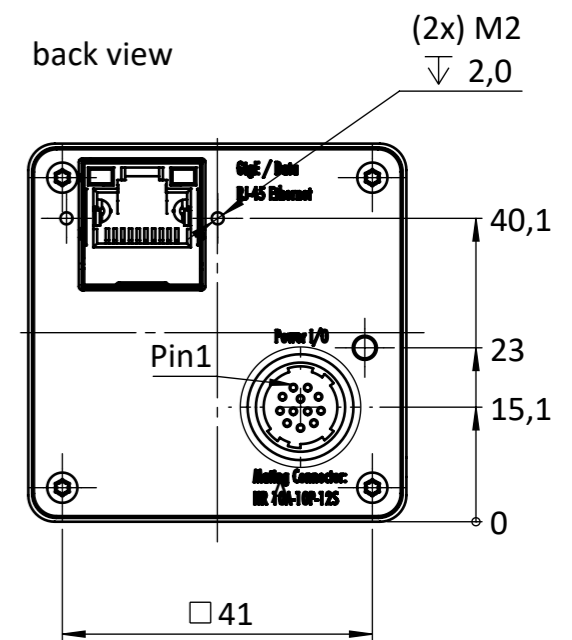
front view



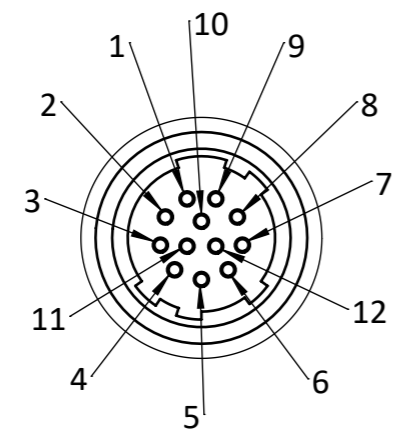
left view



back view

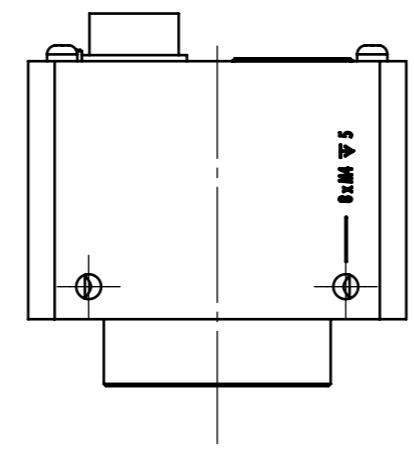


Hirose Connector



DETAIL A
MAßSTAB 2 : 1

top view



Pin	Type	Fn
1	GND	V In-
2	10-25VDC	V In+
3	RxD RS232	In 4
4	TxD RS232	Out 4
5	0-24V	In 1
6	0-24V	In 2
7	open drain	Out 1
8	open drain	Out 2
9	opto In+	In3+
10	opto In-	In3-
11	open drain	Out 3
12	open drain	Out 0

NOTICE:
The sensor distance 17,526 mm is compensated for cover glass thickness
distance to cover glass = 10,7mm
distance to mounting ring = 9,2mm

drawing applies to
mono and color
cameras

- EXO250xGE
- EXO252xGE
- EXO264xGE
- EXO265xGE

	all dimensions in mm unless otherwise specified		Scale: 1:1	Rev.: 1									
	Customer Interface Drawing												
<table border="1"> <thead> <tr> <th>Name</th> <th>Sign.</th> <th>Date</th> </tr> </thead> <tbody> <tr> <td>Drawn S.Benoist</td> <td></td> <td>28.08.2018</td> </tr> <tr> <td>Checked W.Schreiber</td> <td></td> <td>29.08.2018</td> </tr> </tbody> </table>	Name	Sign.	Date	Drawn S.Benoist		28.08.2018	Checked W.Schreiber		29.08.2018			Title: EXO250_252_264_265xGE	
Name	Sign.	Date											
Drawn S.Benoist		28.08.2018											
Checked W.Schreiber		29.08.2018											
Material:		Material No.:		A3									
Weight:		Blatt / Sheet 1 / 1											