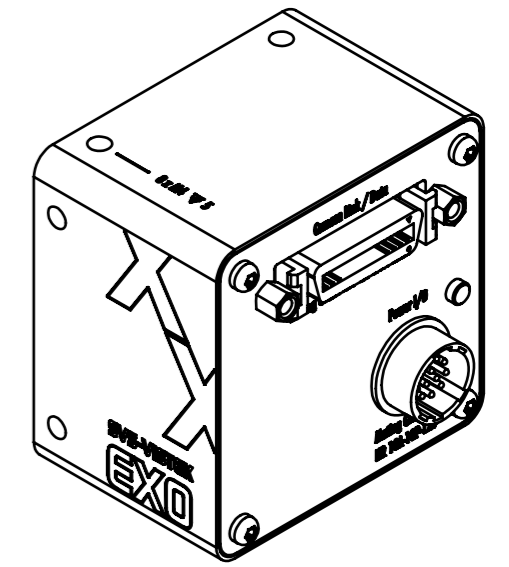
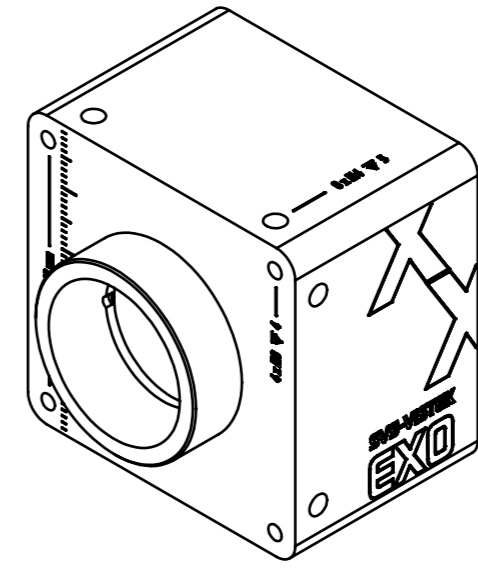
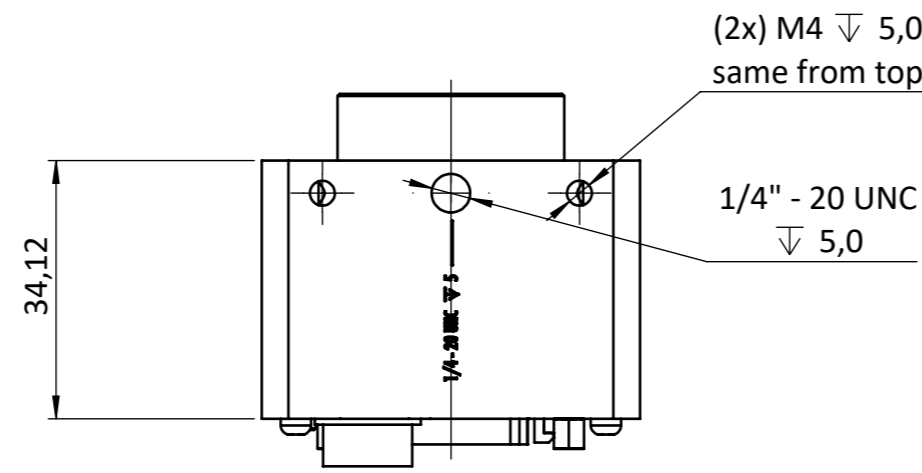
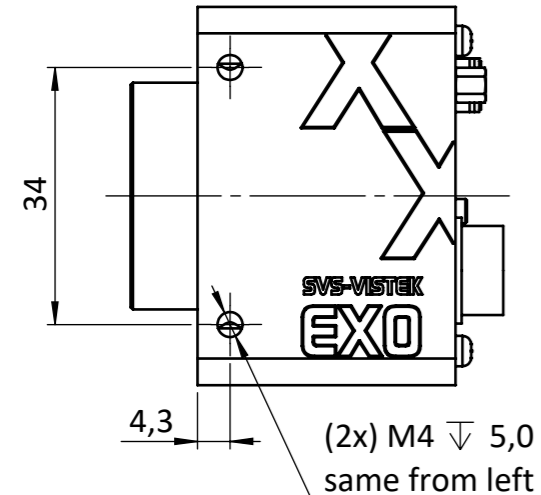


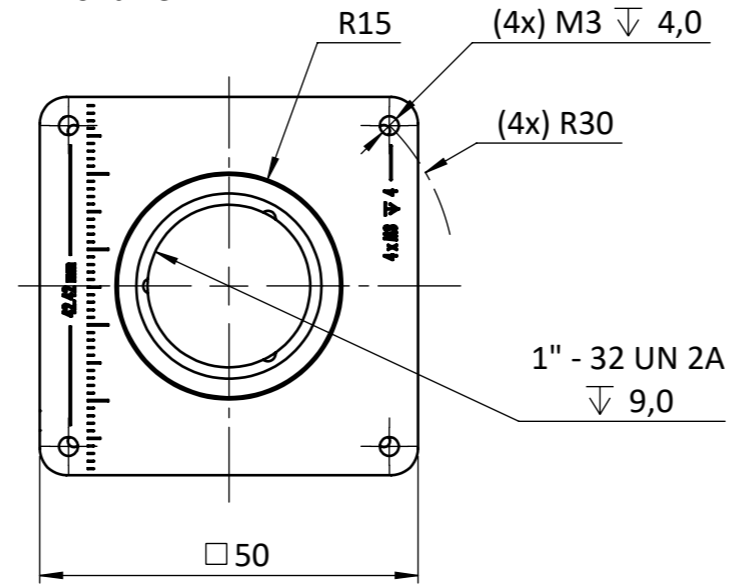
bottom view



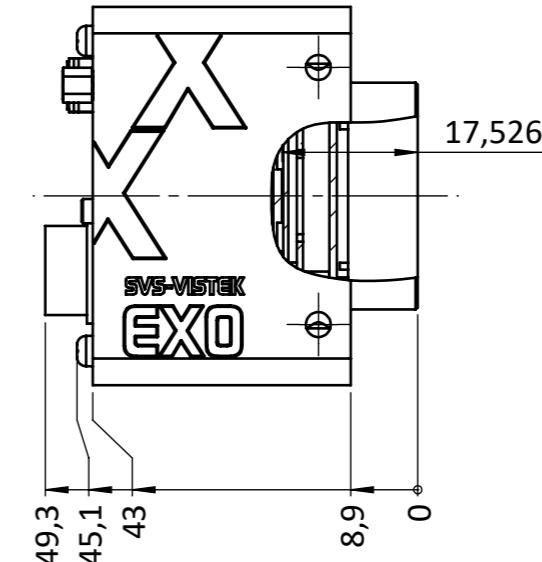
right view



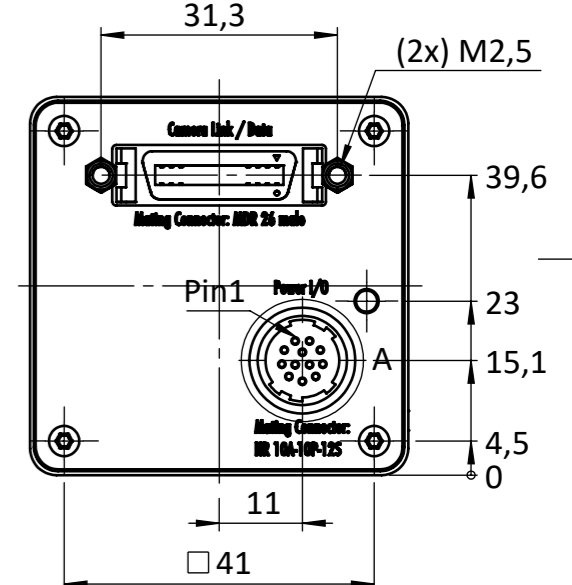
front view



left view

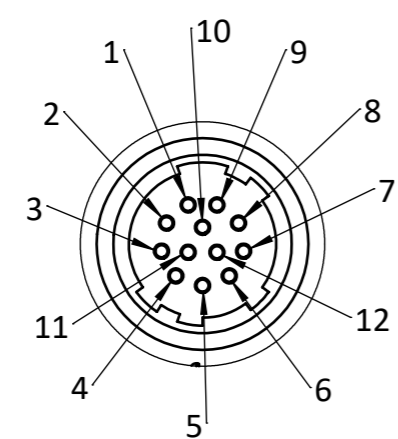


back view



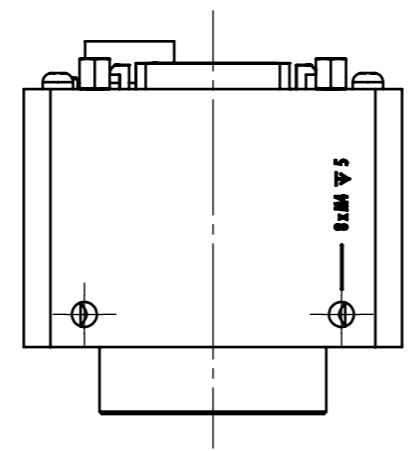
drawing applies to  
mono and color  
cameras  
EXO250xCL  
EXO252xCL  
EXO264xCL  
EXO265xCL

Hirose Connector



DETAIL A  
MAßSTAB 2 : 1

top view



NOTICE:  
The sensor distance 17,526 mm is compensated  
for cover glass thickness  
distance to cover glass = 10,7mm  
distance to mounting ring = 9,2mm

Pin	Fn	Type
1	V In-	GND
2	V In+	10-25VDC
3	In 4	RxD RS232
4	Out 4	TxD RS232
5	In 1	0-24V
6	In 2	0-24V
7	Out 1	open drain
8	Out 2	open drain
9	In3+	opto In+
10	In3-	opto In-
11	Out 3	open drain
12	Out 0	open drain

	all dimensions in mm unless otherwise specified		Scale: 1:1	Rev.: 1
	Customer Interface Drawing			
Name: S.Benoist Date: 27.08.2018 Checked: W.Schreiber Date: 28.08.2018		Title: EXO250_252_264_265xCL		Material No.: A3
Material: Weight:		Material No.:		