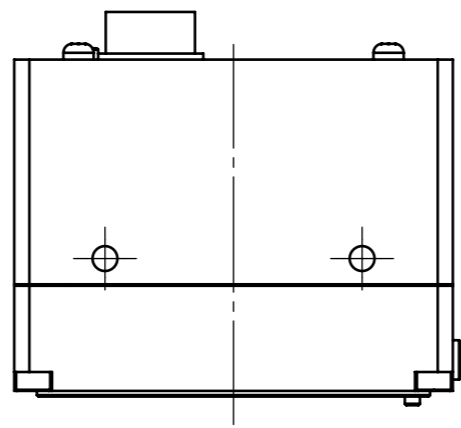
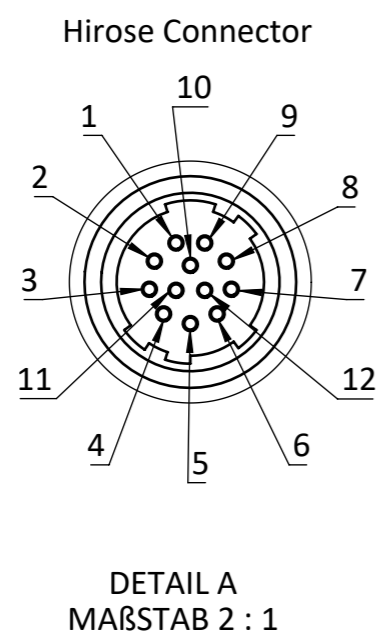


| Pin | Fn | Type |
|-----|-------|------------|
| 1 | V In- | GND |
| 2 | V In+ | 10-25VDC |
| 3 | In 4 | RxD RS232 |
| 4 | Out 4 | TxD RS232 |
| 5 | In 1 | 0-24V |
| 6 | In 2 | 0-24V |
| 7 | Out 1 | open drain |
| 8 | Out 2 | open drain |
| 9 | In3+ | opto In+ |
| 10 | In3- | opto In- |
| 11 | Out 3 | open drain |
| 12 | Out 0 | open drain |



NOTICE:
 The sensor distance 19,53 mm is compensated for cover glass thickness

drawing applies to
 mono and color
 cameras
 EX304xGETR
 EX183xGETR

| | all dimensions in mm unless otherwise specified | | Scale: 1:1 | Rev.: | | | | | | | | | |
|---|---|---------------------|------------|-----------------|--|------------|---------------------|--|------------|--|--|------------------------|--|
| | Customer Interface Drawing | | | | | | | | | | | | |
| <table border="1"> <thead> <tr> <th>Name</th> <th>Sign.</th> <th>Date</th> </tr> </thead> <tbody> <tr> <td>Drawn S.Benoist</td> <td></td> <td>02.10.2018</td> </tr> <tr> <td>Checked W.Schreiber</td> <td></td> <td>06.10.2018</td> </tr> </tbody> </table> | Name | Sign. | Date | Drawn S.Benoist | | 02.10.2018 | Checked W.Schreiber | | 06.10.2018 | | | Title: EXO183_304xGETR | |
| Name | Sign. | Date | | | | | | | | | | | |
| Drawn S.Benoist | | 02.10.2018 | | | | | | | | | | | |
| Checked W.Schreiber | | 06.10.2018 | | | | | | | | | | | |
| Material: | | Material No.: | | | | | | | | | | | |
| Weight: | | Blatt / Sheet 1 / 1 | | | | | | | | | | | |

A3