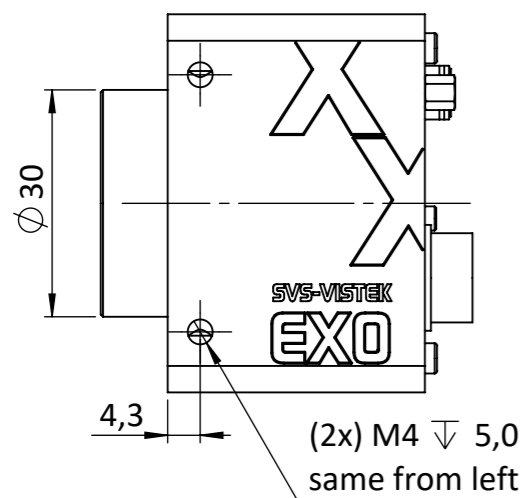
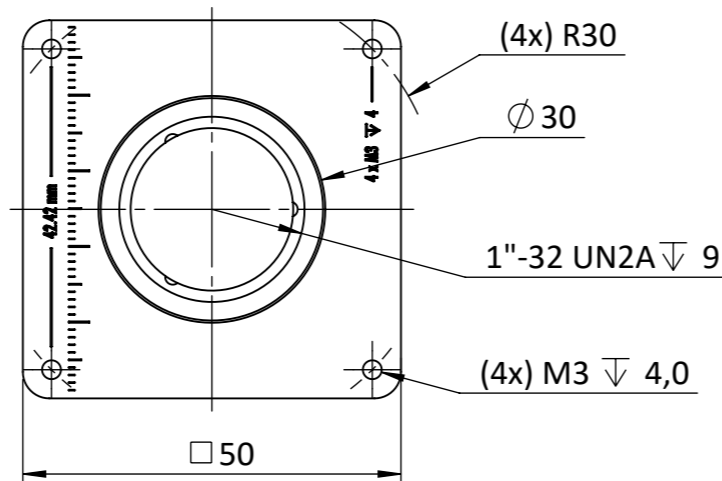


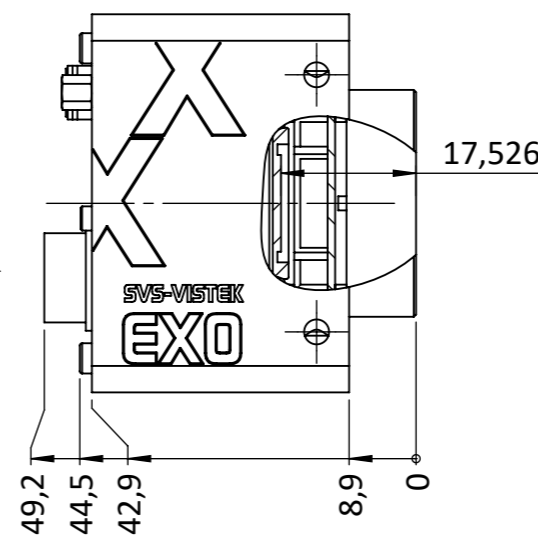
right view



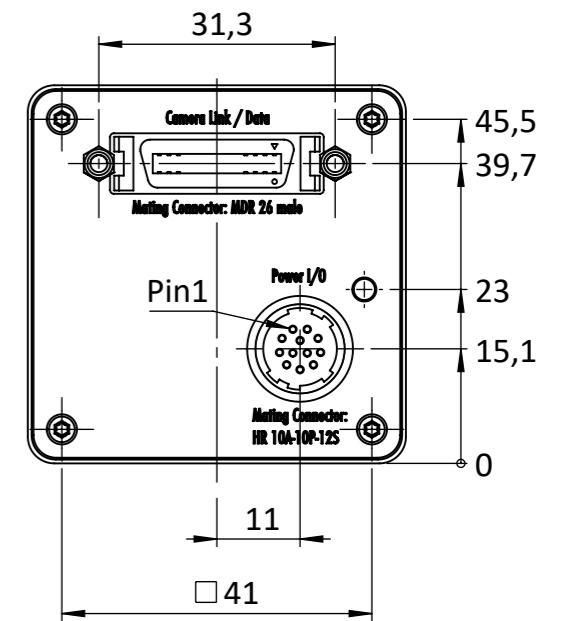
front view



left view

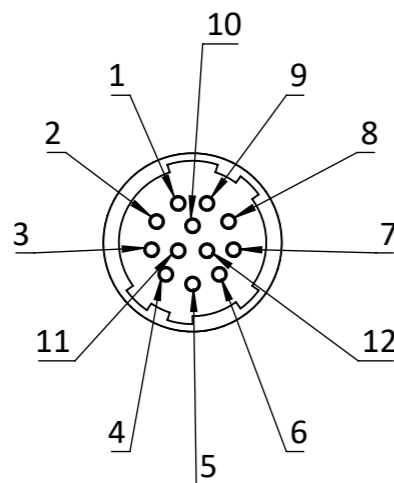


back view

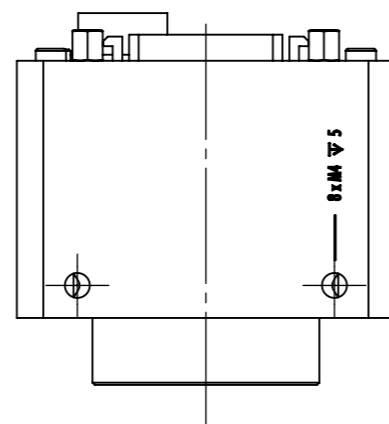


Hirose Connector

Pin	Fn	Type
1	V In-	GND
2	V In+	10-25VDC
3	In 4	RxD RS232
4	Out 4	TxD RS232
5	In 1	0-24V
6	In 2	0-24V
7	Out 1	open drain
8	Out 2	open drain
9	In3+	opto In+
10	In3-	opto In-
11	Out 3	open drain
12	Out 0	open drain



top view



NOTICE:
 The sensor distance 17,526 mm is compensated for cover glass thickness
 distance to cover glass = 10,7mm
 distance to mounting ring = 9,2mm

drawing applies to
 mono and color
 cameras
 EXO174xCL
 EXO183xCL
 EXO249xCL

		all dimensions in mm unless otherwise specified		Scale: 1:1	Rev.: 1
Name: S.Seiler Sign.: Date: 18.06.2020				Customer Interface Drawing	
Drawn: S.Seiler Checked: Changed:		Title: EXO174_183_249xCL		Material No.:	
Material:		Material No.:		A3	
Weight:		Weight:		Blatt / Sheet 1 / 1	