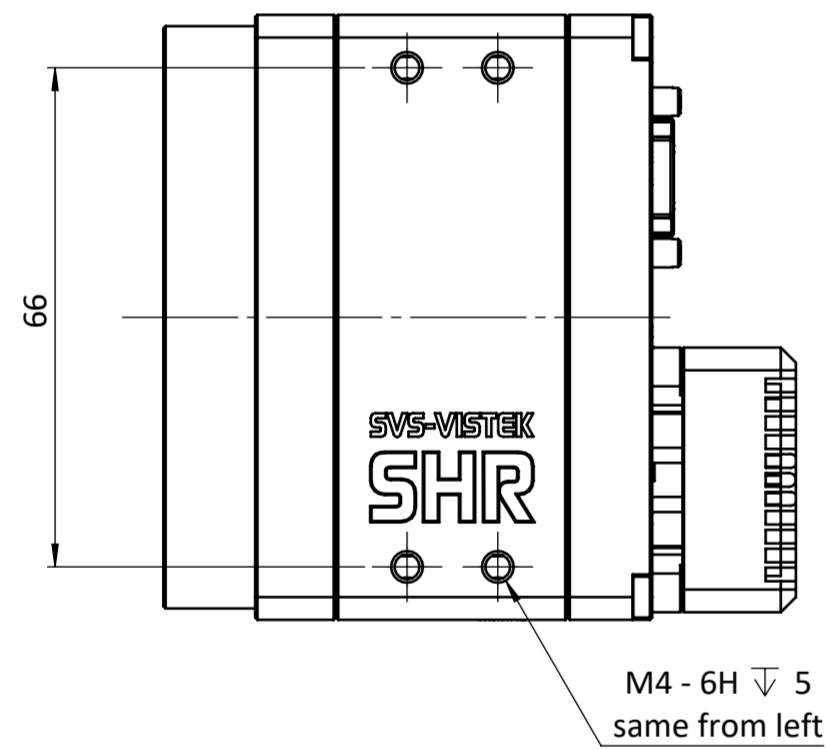
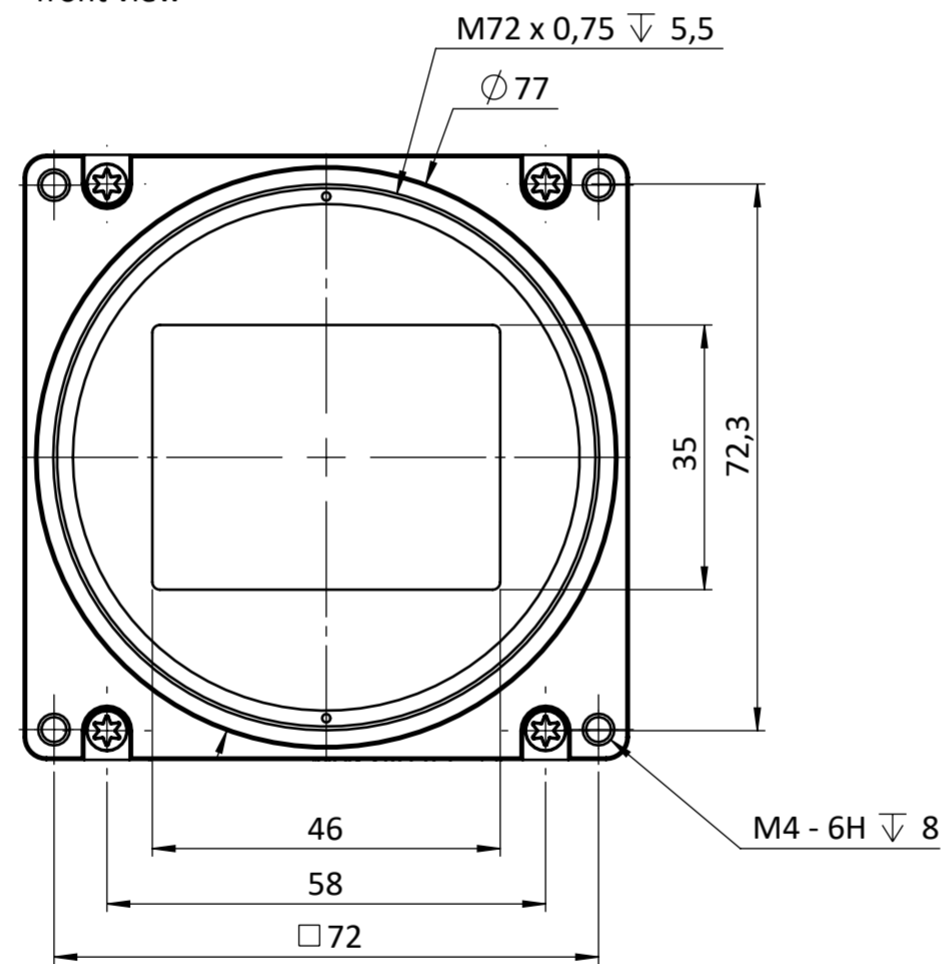


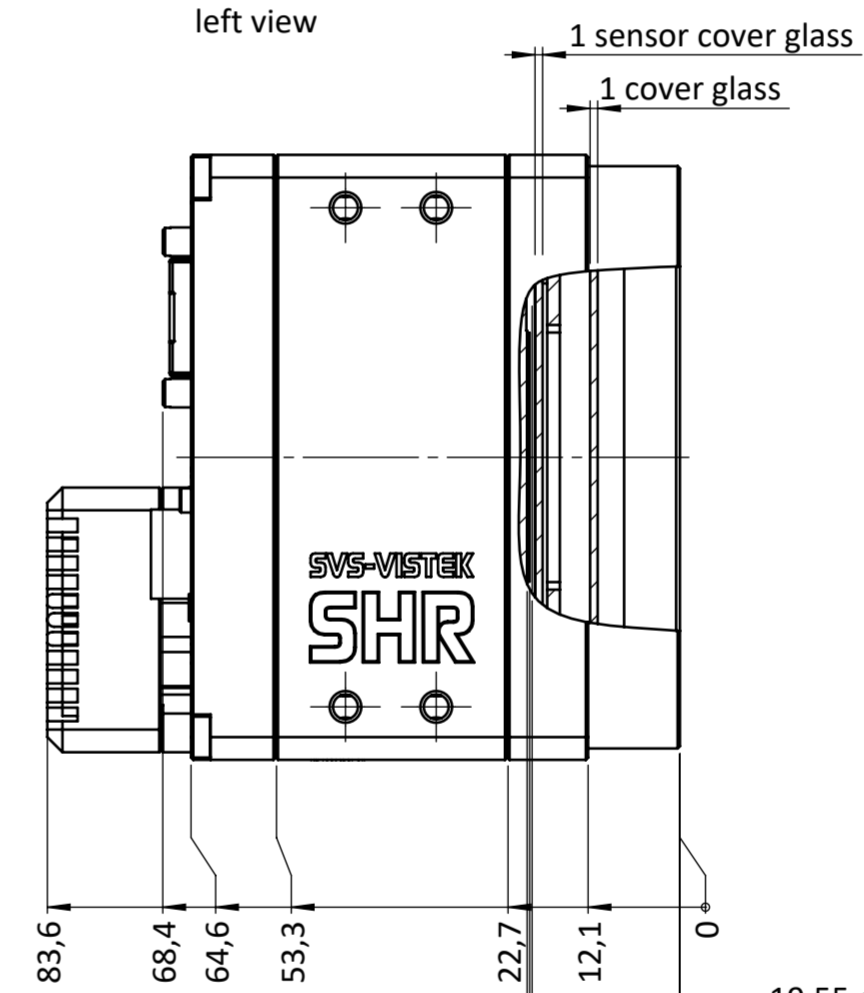
right view



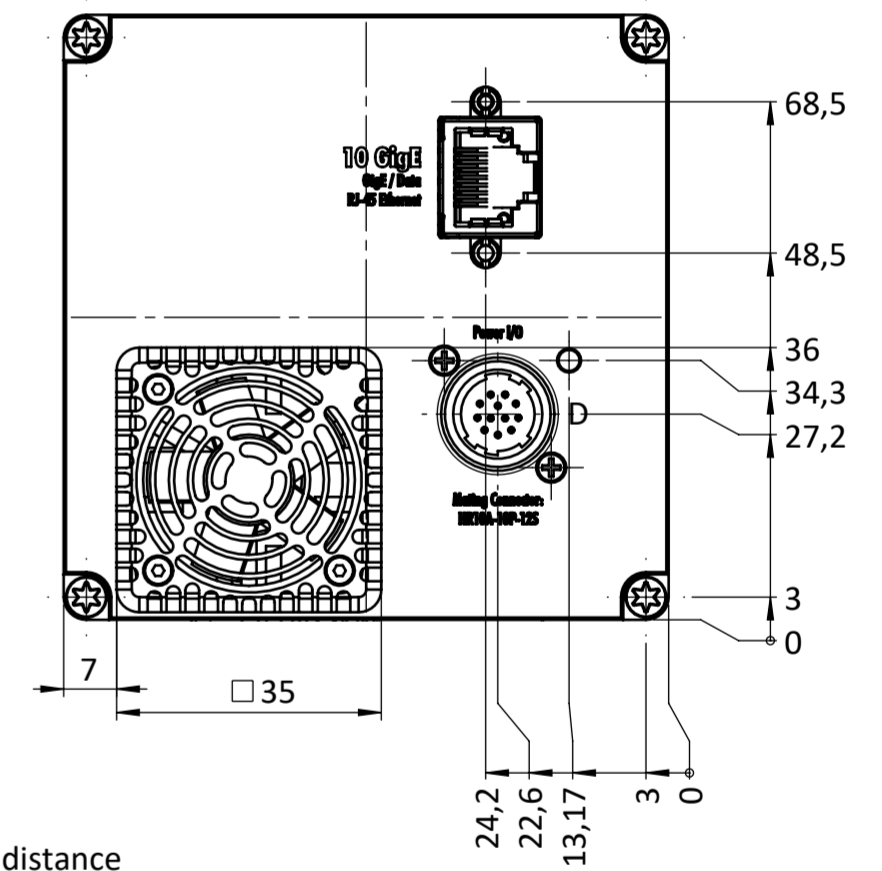
front view



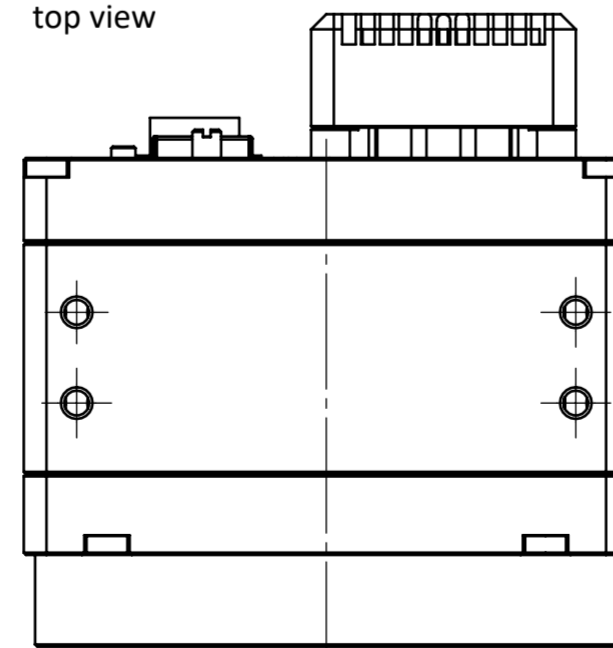
left view



back view



top view

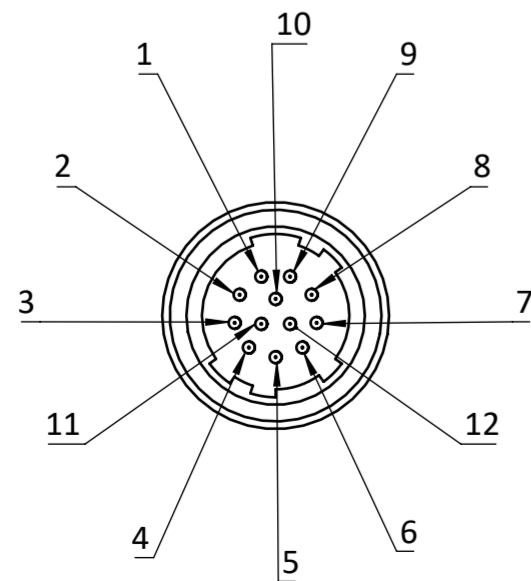


19,55 optical distance

19,88 optical back focus  
inclusive cover glass  
compensation

20,21 mechanical adjustment  
without compensation

Hirose Connector



DETAIL D  
MAßSTAB 2 : 1

Pin	Fn	Type
1	V In-	GND
2	V In+	10-25VDC
3	In 4	RxD RS232
4	Out 4	TxD RS232
5	In 1	0-24V
6	In 2	0-24V
7	Out 1	open drain
8	Out 2	open drain
9	In3+	opto In+
10	In3-	opto In-
11	Out 3	open drain
12	Out 0	open drain

		all dimensions in mm unless otherwise specified	Scale: 1:1 Rev.: 1
Drawn: S.Seller Checked: W.Schreiber		Name: _____ Sign: _____ Date: 18.02.2021 Date: 18.02.2021	Customer Interface Drawing Title: SHR461xXGE
		Material: _____	Material No.: _____
		Weight: _____	A2 Blatt/Sheet 1 / 1