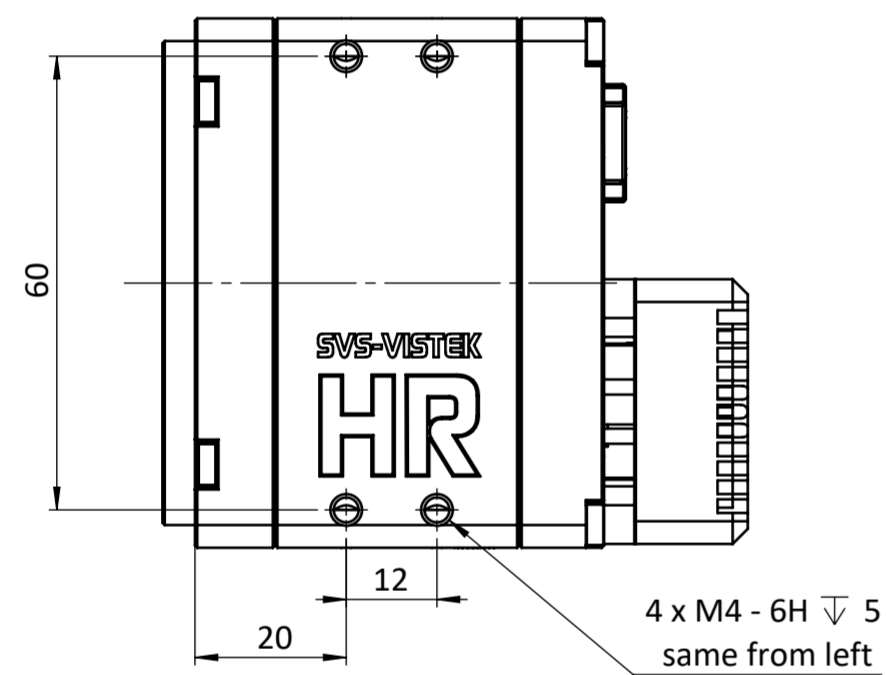
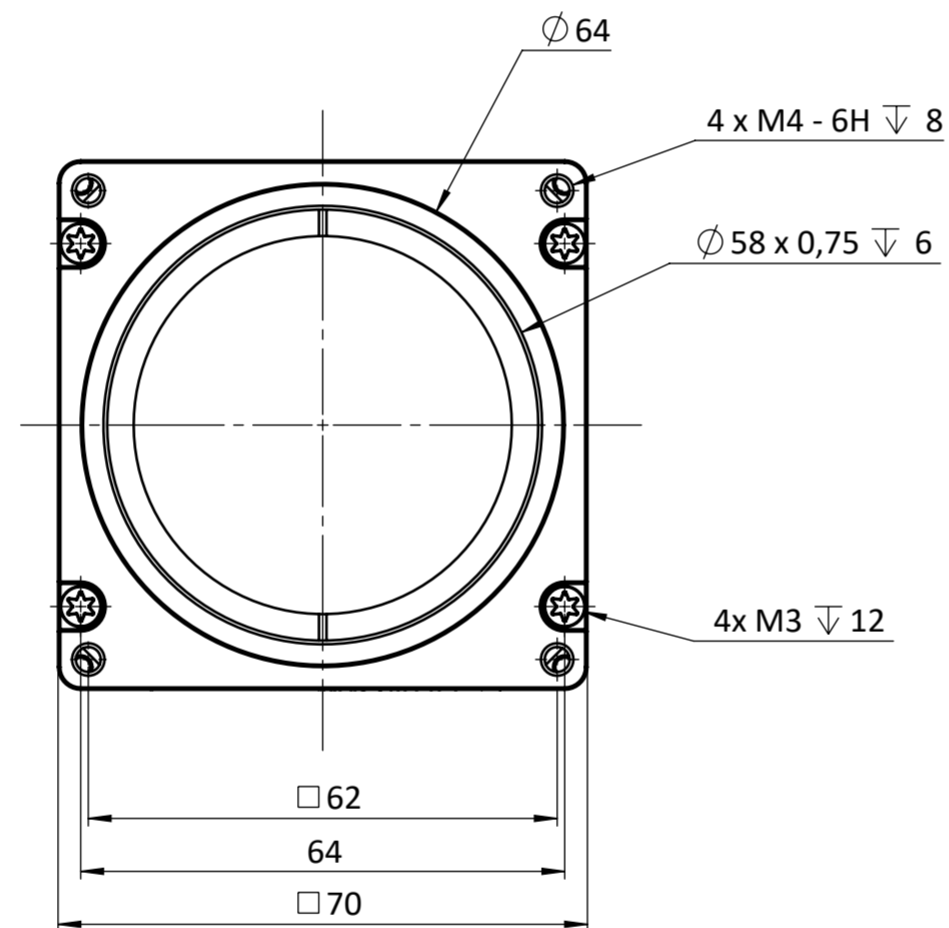


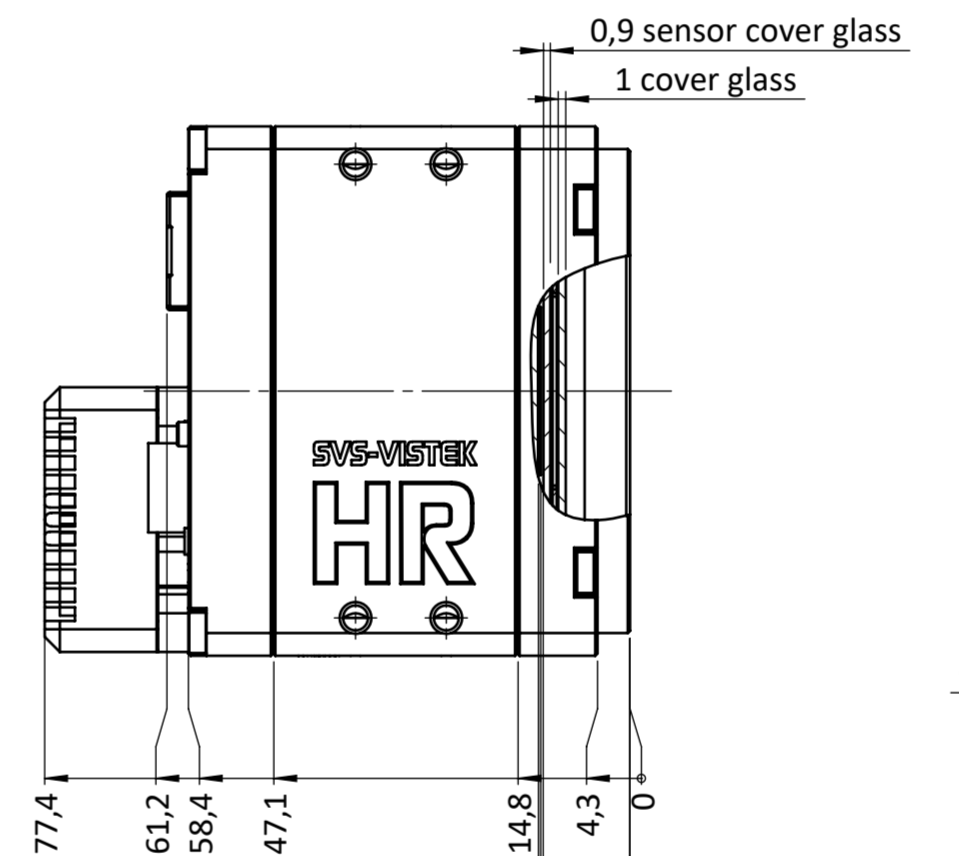
right view



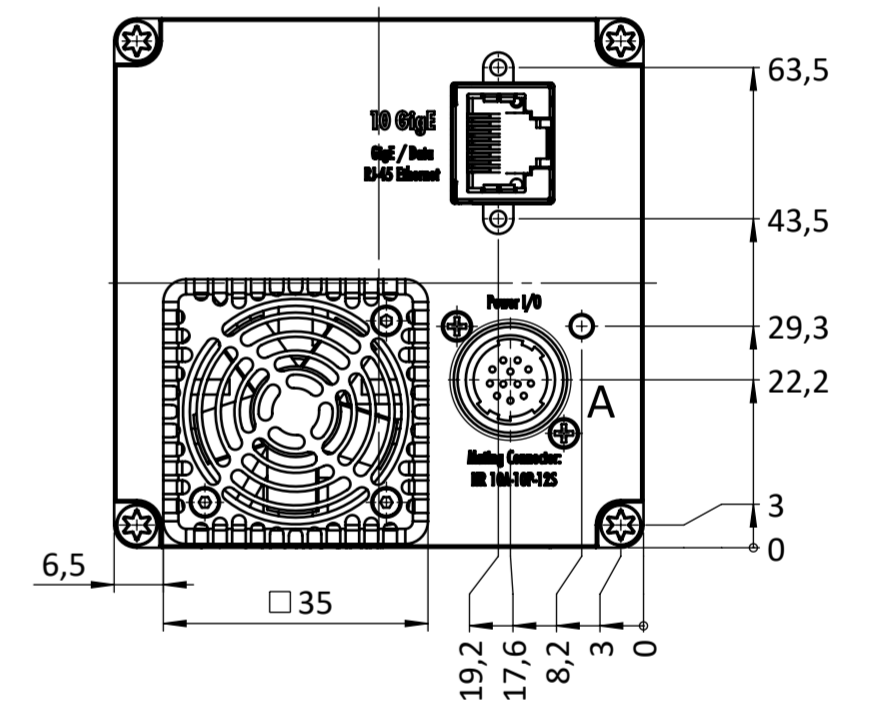
front view



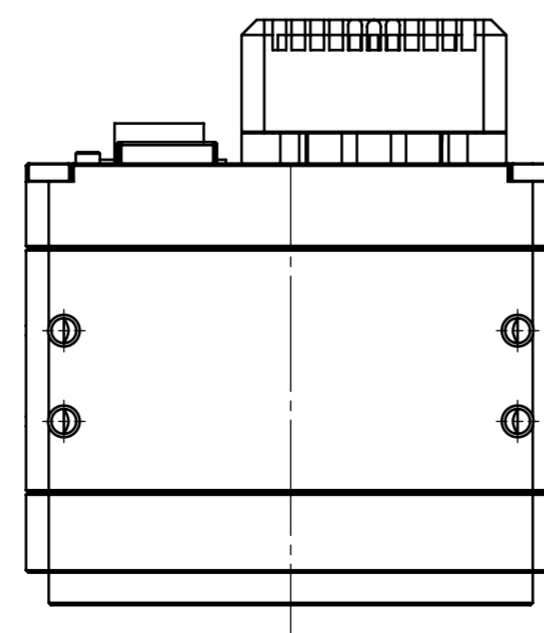
left view



back view



top view



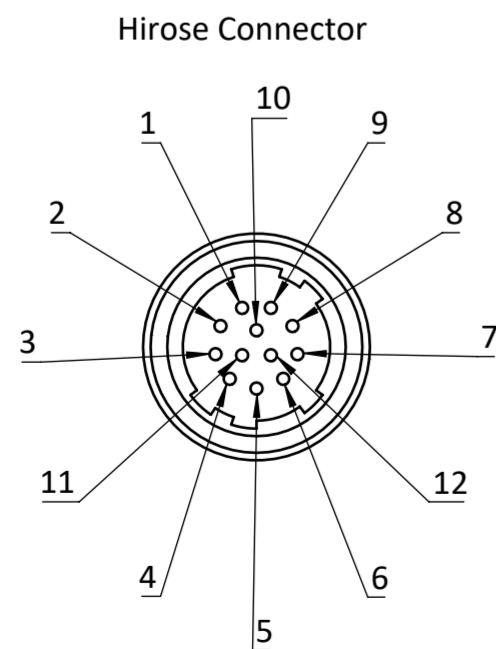
11,48 optical distance

11,81 optical back focus incl. cover glass compensation

12,11 mechanical adjustment without compensation

drawing applies to mono and color cameras

Hiros Pinout	
ECO, ECO2, EVO, HR	
Pin	Signal ECO, ECO2, EVO, HR (CL medium, GigE only)
1	V IN- (GND)
2	V IN+ (10 - 25V)
3	RxD (RS232) not available for Poe version
4	TxD (RS232) not available for Poe version
5	IN 1 (0 - 24V)
6	IN 2 (0 - 24V)
7	OUT 1 (open drain)
8	OUT 2 (open drain)
9	IN 3+ (RS422)
10	IN 3- (RS422)
11	OUT 3+ (RS422)
12	OUT 3+ (RS422)
	Shielding



DETAIL A
MAßSTAB 2 : 1

		all dimensions in mm unless otherwise specified		Scale: 1:1	Rev.: 1
Name: S.Seller Date: 02.03.2021				Title: HR65xXGE	
Drawn: S.Seller Checked:		Material:		Material No.: F004121-01001	
Weight:		A2		Blatt/Sheet 1 / 1	