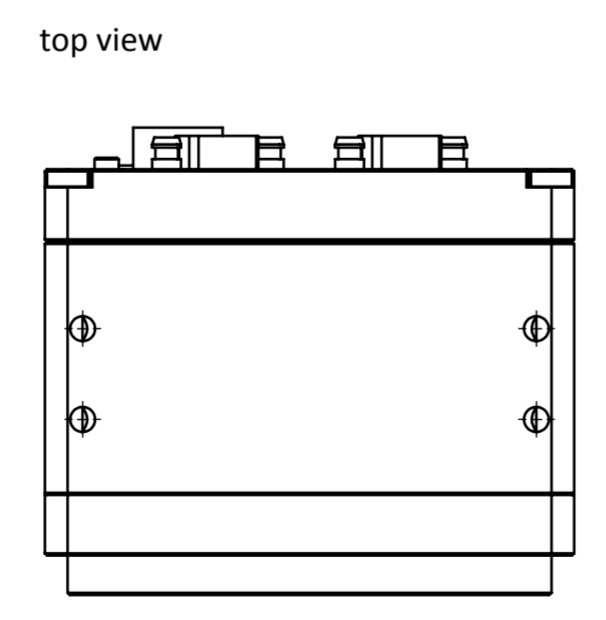
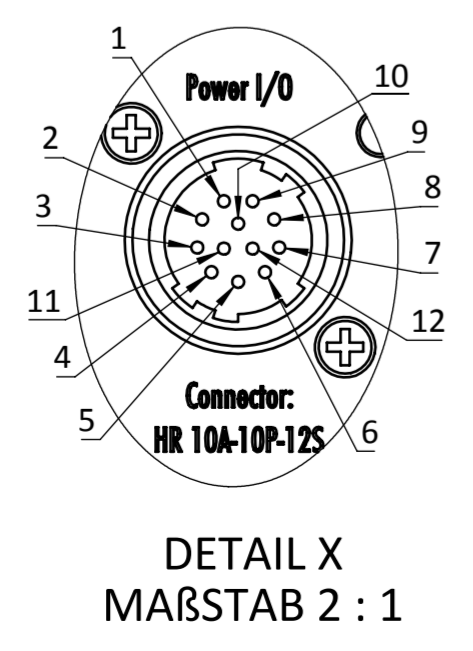


Pin	Fn (Type)
1	V IN- (GND)
2	V IN+ (10-25V)
3	In 4 RxD (RS 232)
4	OUT 4 TxD (RS 232)
5	IN 1 (0-24V)
6	IN 2 (0-24V)
7	OUT 1 (open drain)
8	OUT 2 (open drain)
9	IN 3+ (opto IN+)
10	IN 3- (opto IN-)
11	OUT 3 (open drain)
12	OUT 0 (open drain)
	Shielding



Notice:
- The sensor distance 11,48mm is compensated for cover glass thickness
- Drawing applies to mono and color cameras

		all dimensions in mm unless otherwise specified	Scale: 1:1	Rev.: 1
Drawn: W. Schreiber Checked:		Name: W. Schreiber Sign: [Signature] Date: 30.04.2018	Title: HR25MCL Gen2	
		Material:	Material No.: F004051	A2
		Weight:	Blatt/Sheet 1 / 1	