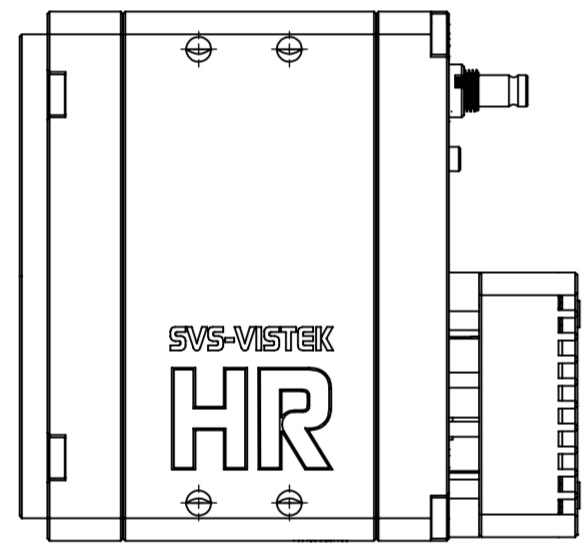
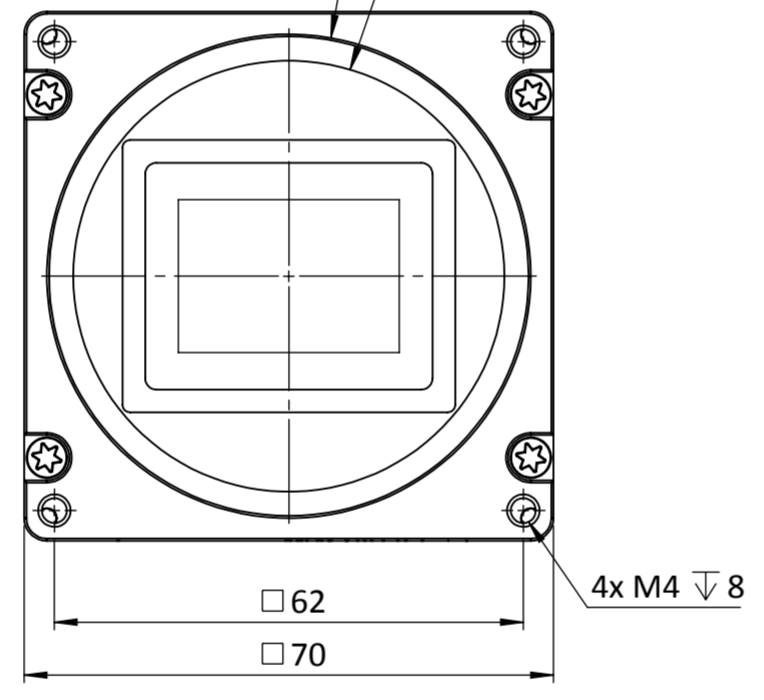


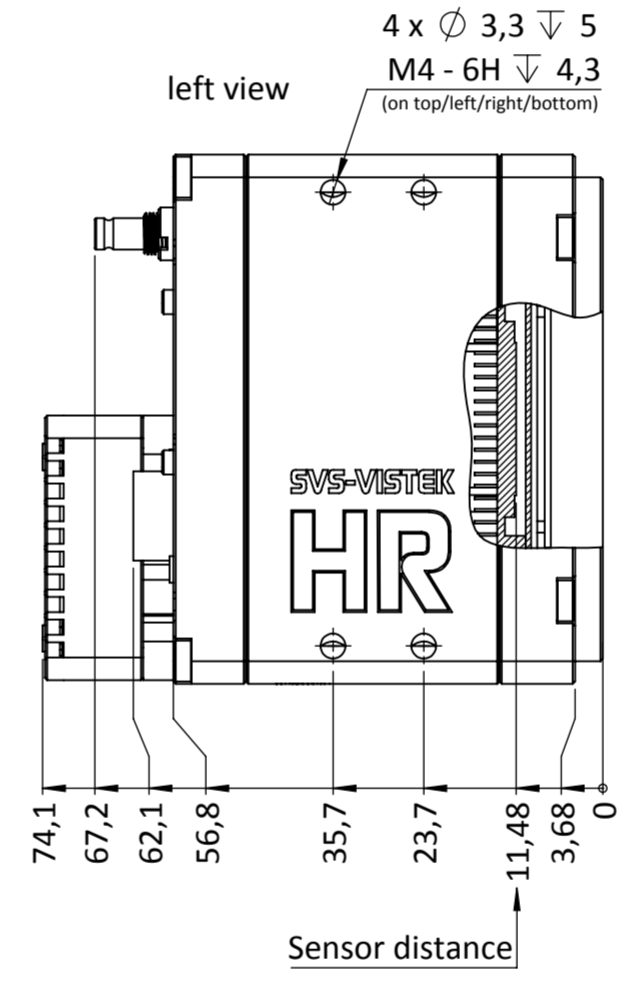
right view



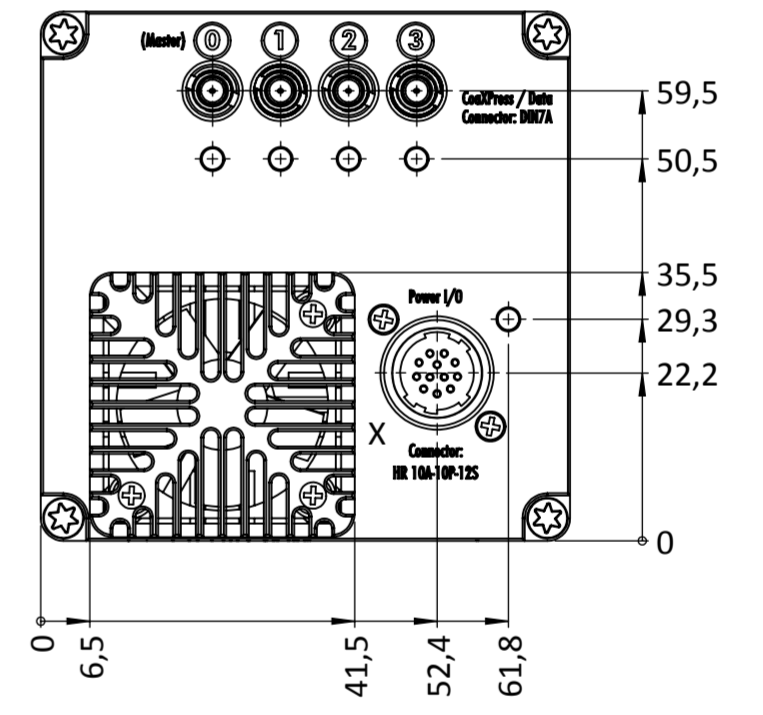
front view



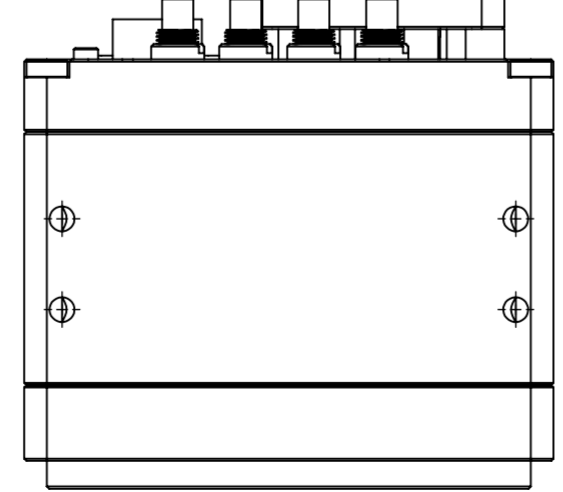
left view



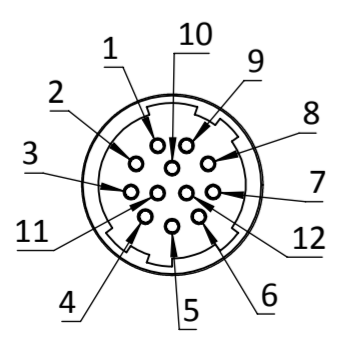
back view



top view



Pin	Fn	Type
1	V In-	GND
2	V In+	10-25VDC
3	In 4	RxD RS232
4	Out 4	TxD RS232
5	In 1	0-24V
6	In 2	0-24V
7	Out 1	open drain
8	Out 2	open drain
9	In3+	opto In+
10	In3-	opto In-
11	Out 3	open drain
12	Out 0	open drain
Shielding		



Notice:  
drawing applies to mono and color cameras

		all dimensions in mm unless otherwise specified		Scale: 1:1	Rev.: 1
Drawn: W. Schreiber Checked:		Name: Sign: Date: 18.04.2018		Title: HR120MCX	
		Material:		Material No.: F004048	
		Weight:		A2 Blatt/Sheet 1 / 1	