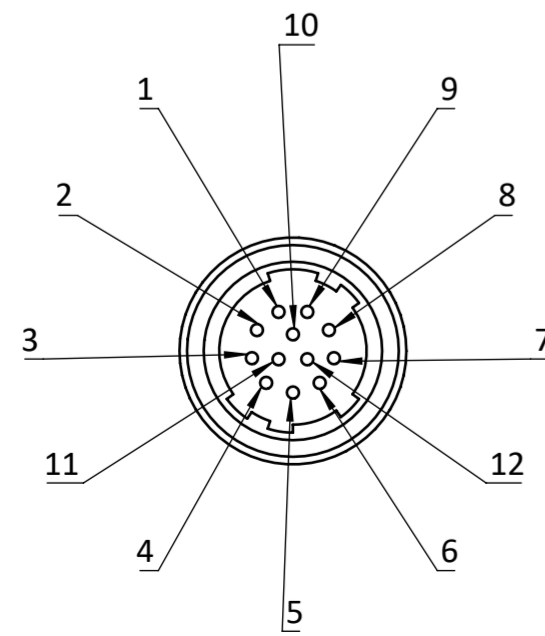
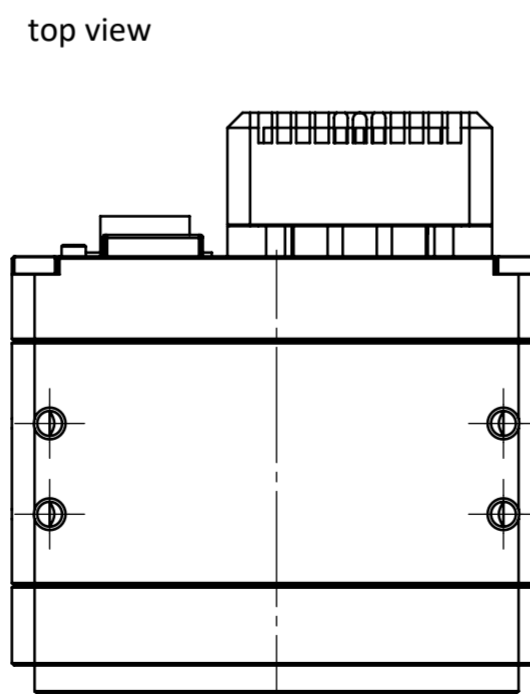


Hirose Connector



DETAIL D
MAßSTAB 2 : 1



Fn	Pin	Type
V In-	1	GND
V In+	2	10-25VDC
In 4	3	RxD RS232
Out 4	4	TxD RS232
In 1	5	0-24V
In 2	6	0-24V
Out 1	7	open drain
Out 2	8	open drain
In3+	9	opto In+
In3-	10	opto In-
Out 3	11	open drain
Out 0	12	open drain

NOTICE:
The sensor distance 11,81 mm is compensated
for cover glass thickness

drawing applies to mono
and color cameras

	all dimensions in mm unless otherwise specified		Scale: 1:1	Rev.:
	Name: S.Seller Date: 04.03.2020		Customer Interface Drawing	
Title: HR51xXGE_CID	Material:		Material No.:	
Weight:		A2		Blatt/Sheet 1 / 1