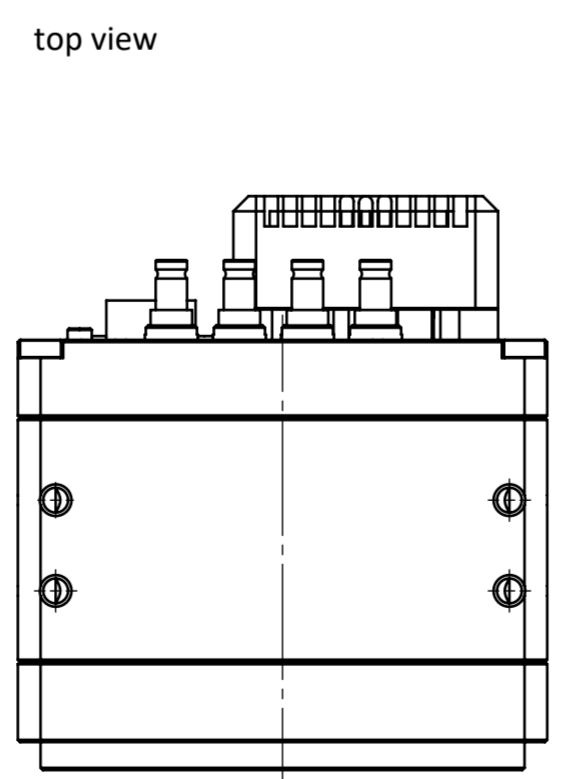


Hirose Pinout EXO, HR (CL Deca, CXP), SHR	
Pin	Signal EXO, HR (CL Deca, CXP), SHR
1	V IN- (GND)
2	V IN+ (10 - 25V)
3	IN 4 RxD (RS232)
4	OUT 4 TxD (RS232)
5	IN 1 (0 - 24V)
6	IN 2 (0 - 24V)
7	OUT 1 (open drain)
8	OUT 2 (open drain)
9	IN 3+ (opto IN+)
10	IN 3- (opto IN-)
11	OUT 3 (open drain)
12	OUT 0 (open drain)
	Shielding

DETAIL A
MAßSTAB 2 : 1



NOTICE:
The sensor distance 11,81 mm is compensated for coverglass thickness

drawing applies to mono and color cameras

	all dimensions in mm unless otherwise specified		Scale: 1:1	Rev.: 1
	Name: S.Seller Date: 04.03.2020		Title: HR51xCX	
Drawn: S.Seller	Checked:	Material:	Material No.: F004102-01001	A2
Weight:		Blatt/Sheet 1 / 1		