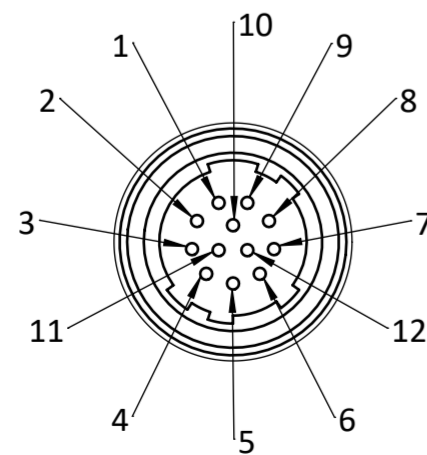
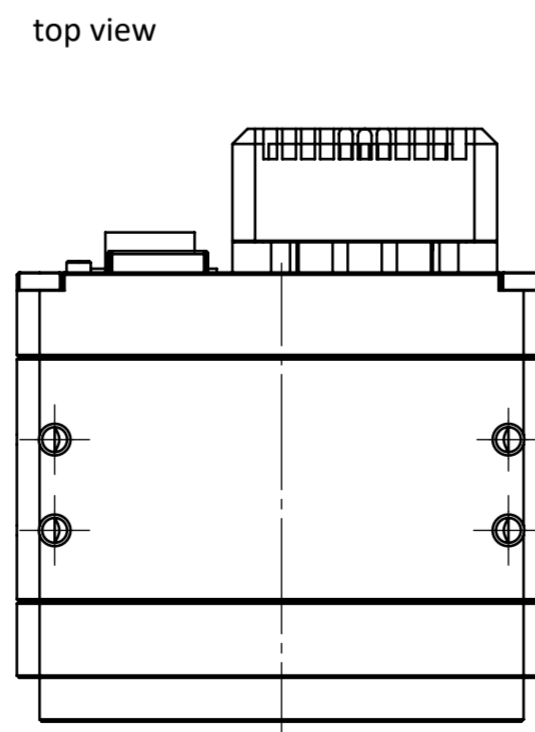


Hirose Connector



DETAIL A
MARSTAB 2 : 1



NOTICE:
The sensor distance 11,48 mm is compensated for cover glass thickness

drawing applies to mono and color cameras

		all dimensions in mm unless otherwise specified		Scale: 1:1	Rev.:
Drawn: S.Seller		Date: 14.02.2020		Customer Interface Drawing	
Checked:				Title: HR455XXGE_CID	
Material:		Material No.:		A2	
Weight:				Blatt/Sheet 1 / 1	

Fn	Pin	Type
V In-	1	GND
V In+	2	10-25VDC
In 4	3	RxD RS232
Out 4	4	TxD RS232
In 1	5	0-24V
In 2	6	0-24V
Out 1	7	open drain
Out 2	8	open drain
In3+	9	opto In+
In3-	10	opto In-
Out 3	11	open drain
Out 0	12	open drain