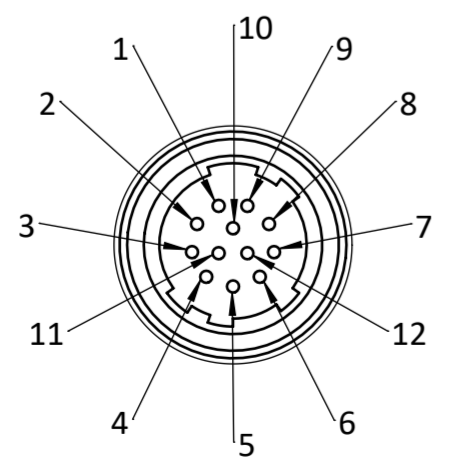
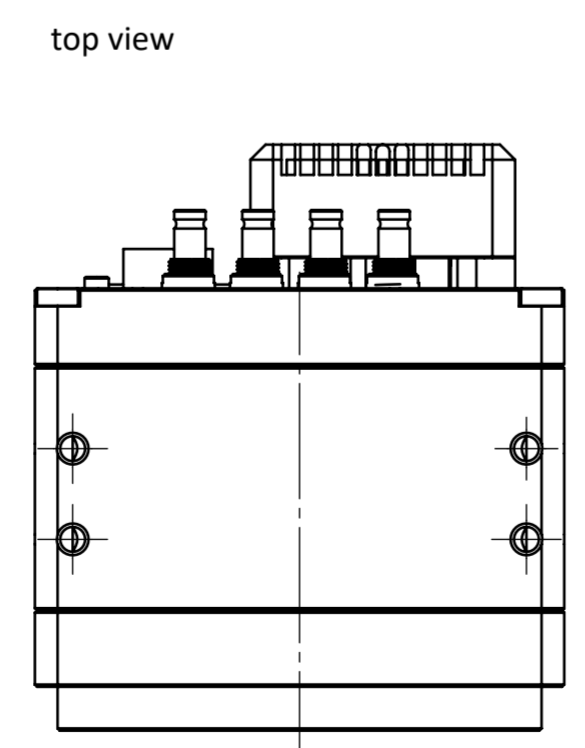


Hirose Connector



DETAIL A  
MARSTAB 2 : 1



Fn	Pin	Type
V In-	1	GND
V In+	2	10-25VDC
In 4	3	RxD RS232
Out 4	4	TxD RS232
In 1	5	0-24V
In 2	6	0-24V
Out 1	7	open drain
Out 2	8	open drain
In3+	9	opto In+
In3-	10	opto In-
Out 3	11	open drain
Out 0	12	open drain

NOTICE:  
The sensor distance 11,48 mm is compensated for cover glass thickness

drawing applies to mono and color cameras

	all dimensions in mm unless otherwise specified		Scale: 1:1	Rev.:
	Customer Interface Drawing		Title: HR455xCX_CID	
Name: S.Seller Date: 25.03.2020	Sign:	Date:	Material:	Material No.:
Weight:	A2			