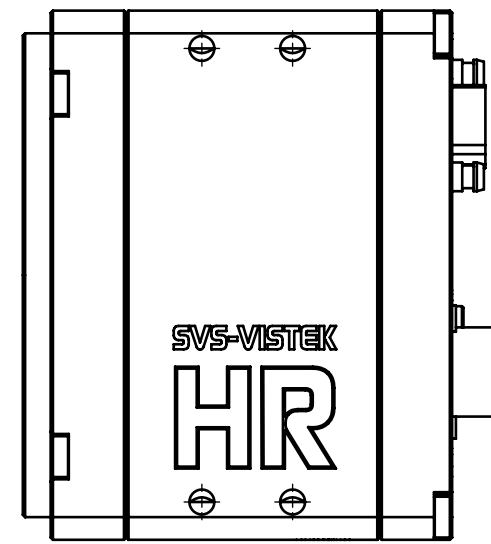
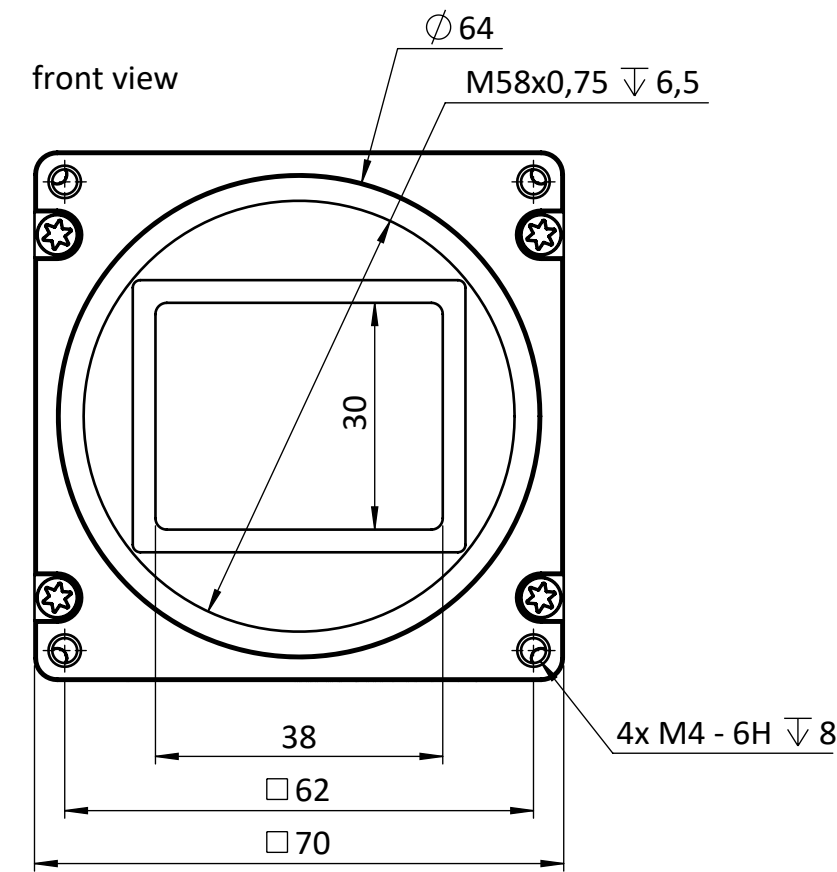


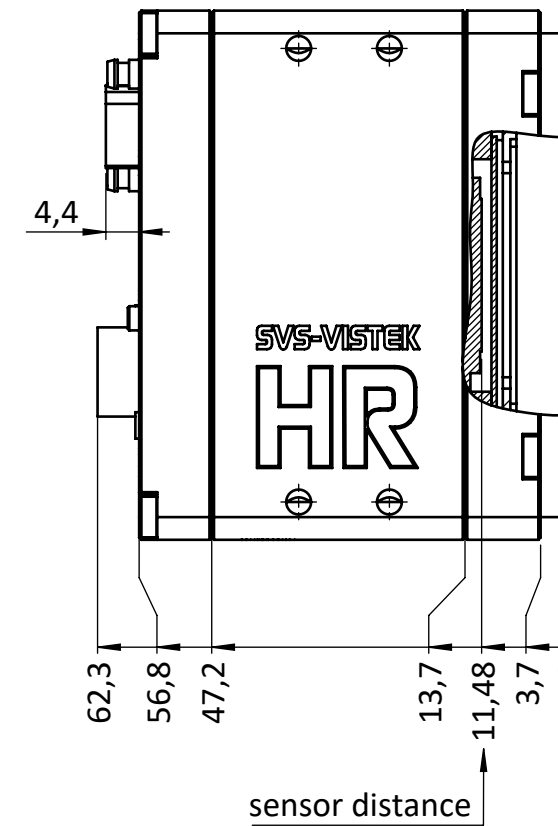
right view



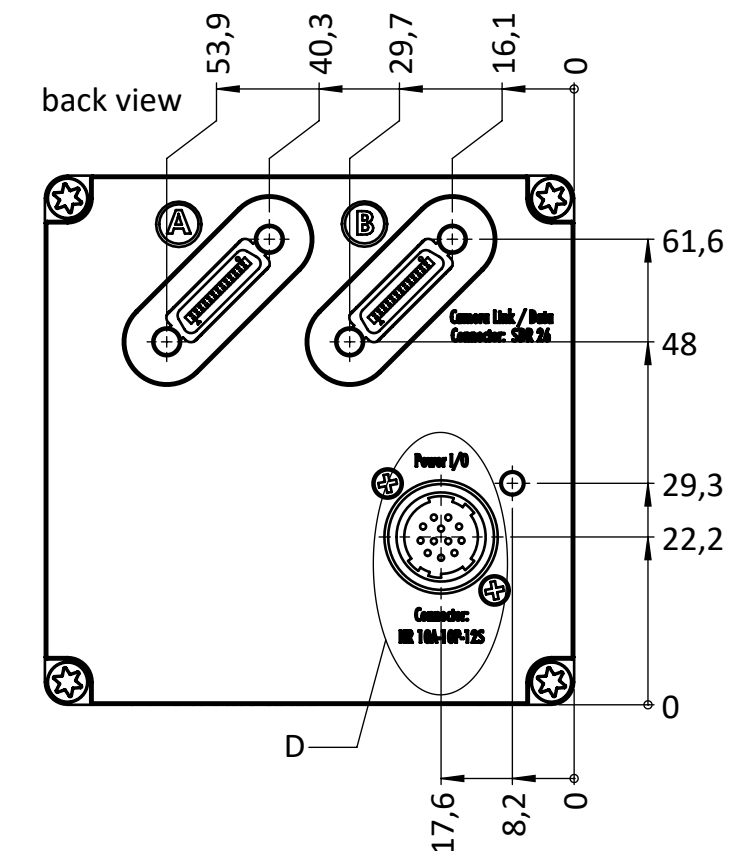
front view



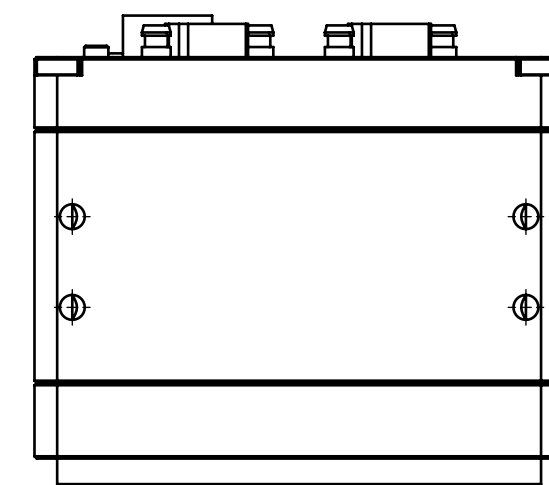
left view



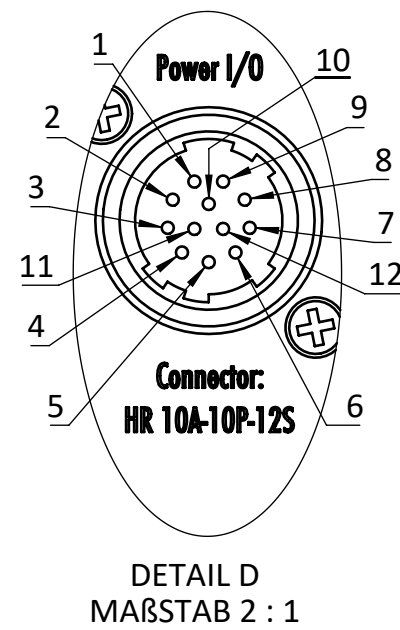
back view



top view



Pin	Fn (Type)
1	V IN- (GND)
2	V IN+ (10-25V)
3	IN 4 RxD (RS 232)
4	OUT 4 TxD (RS 232)
5	IN 1 (0-24V)
6	IN 2 (0-24V)
7	OUT 1 (open drain)
8	OUT 2 (open drain)
9	IN 3+ (opto IN+)
10	IN 3- (opto IN-)
11	OUT 3 (open drain)
12	OUT 0 (open drain)
Shielding	



NOTICE:
The sensor distance 11,48 mm is compensated for cover glass thickness

	all dimensions in mm unless otherwise specified		Scale: 1:1	Rev.: 1
	Customer Interface Drawing		Title: HR120MCL	
Drawn: W. Schreiber Checked:	Name: W. Schreiber Sign:	Date: 12.03.2018	Material No.:	
Material:		A2		
Weight:		Blatt/Sheet 1 / 1		