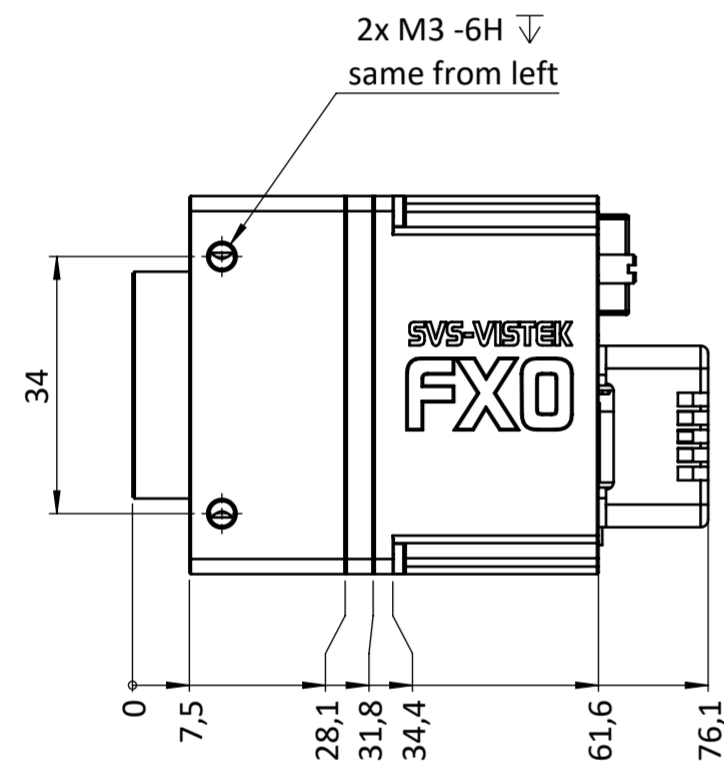
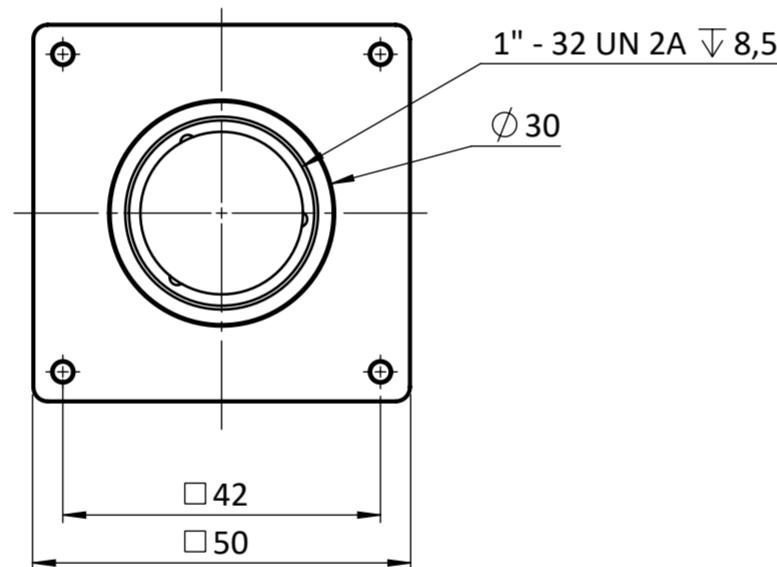


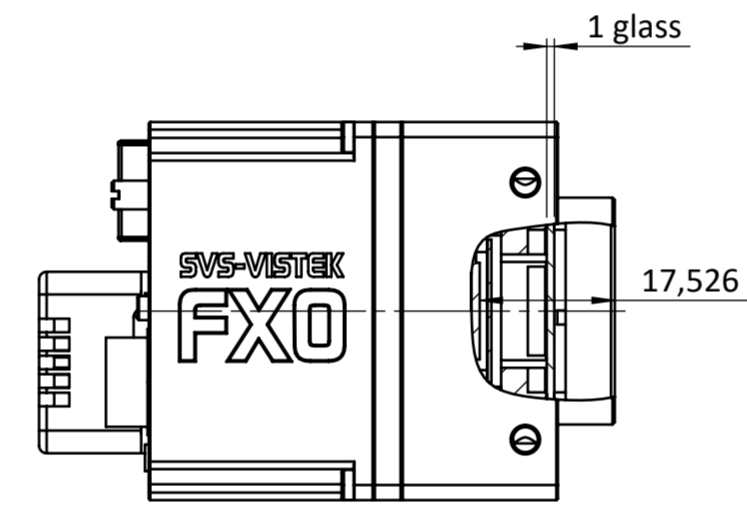
right view



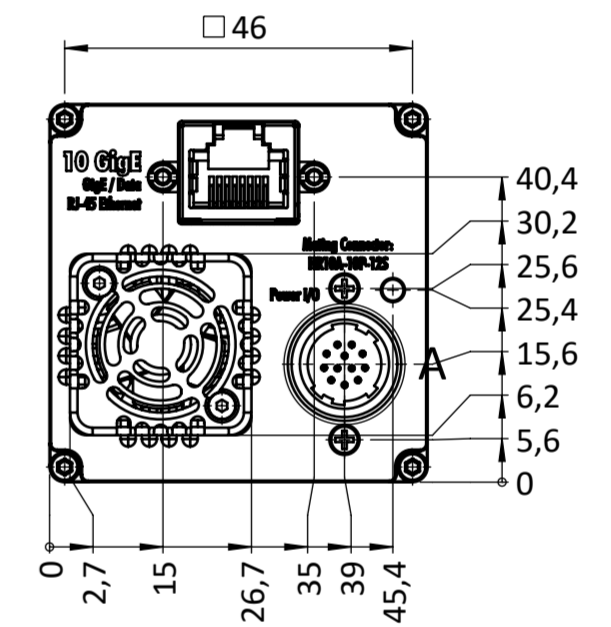
front view



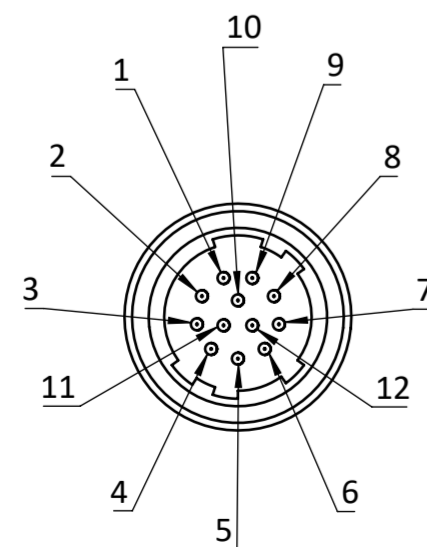
left view



back view

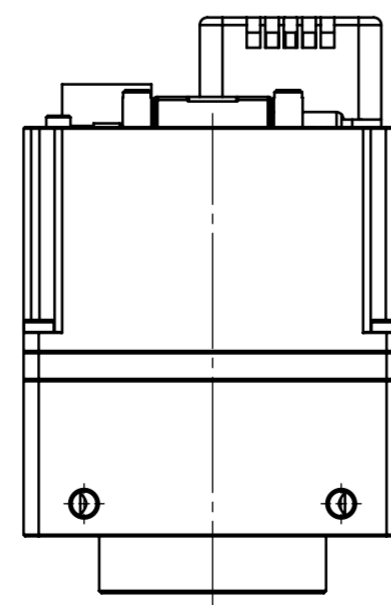


Hirose Connector



DETAIL A  
MAßSTAB 2 : 1

top view



Pin	Signal	EXO, HR (CL Deca, CXP), SHR
1	V IN- (GND)	
2	V IN+ (10 - 25V)	
3	IN 4 RxD (RS232)	
4	OUT 4 TxD (RS232)	
5	IN 1 (0 - 24V)	
6	IN 2 (0 - 24V)	
7	OUT 1 (open drain)	
8	OUT 2 (open drain)	
9	IN 3+ (opto IN+)	
10	IN 3- (opto IN-)	
11	OUT 3 (open drain)	
12	OUT 0 (open drain)	
	Shielding	

drawing applies to  
mono and color  
cameras

FXO540xXGE

FXO541xXGE

FXO542xXGE

NOTICE:  
The sensor distance 17,526mm is compensated  
for coverglass thickness

		all dimensions in mm unless otherwise specified		Scale: 1:1	Rev.: 1
Name: S.Seller Date: 09.06.2020				Customer Interface Drawing	
Title: FXO540_541_542xXGE		Material:		Material No.: F002102-01001	
Weight:		A2		Blatt/Sheet 1 / 1	